

Accessory
<b>XM RADIO SYSTEM</b>

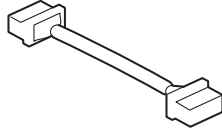
Application
<b>2013 CIVIC 2 AND 4-DOOR</b>

Publications No.
<b>All 13055</b>
Issue Date
<b>NOV 2012</b>

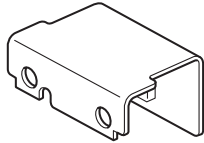
## PARTS LIST

### XM Radio Attachment Kit P/N 08B15-TR0-100

Bus cable



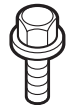
2 Brackets



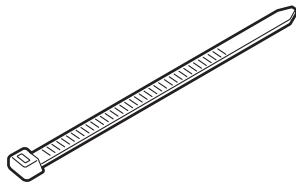
2 Spacers  
(Some may not be used)



6 Washer bolts



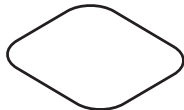
7 Wire ties



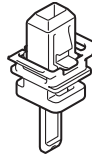
8 Urethane tapes



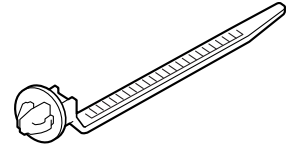
Cover seal



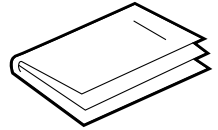
Clip



Wire tie with clip

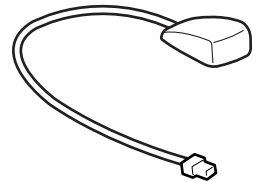


Accessory User's Information Manual



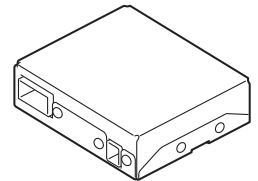
**XM Antenna Kit (sold separately)**  
P/N 08A15-0J1-100

Antenna



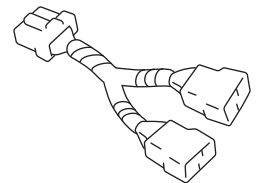
**Unit Kit (sold separately)**  
P/N 08A15-TR0-100

XM radio unit



**2-Port bus cable Kit (sold separately)**  
P/N 08A31-0F1-000

2-Port bus cable



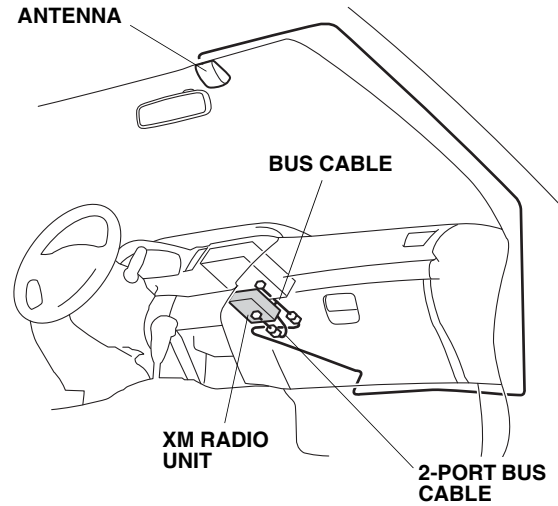
## TOOLS AND SUPPLIES REQUIRED

Phillips screwdriver  
Flat-tip screwdriver  
Shop towel  
Scissors  
Ratchet  
8 mm and 10 mm Sockets  
Isopropyl alcohol  
Tape measure  
Diagonal cutters  
Tape

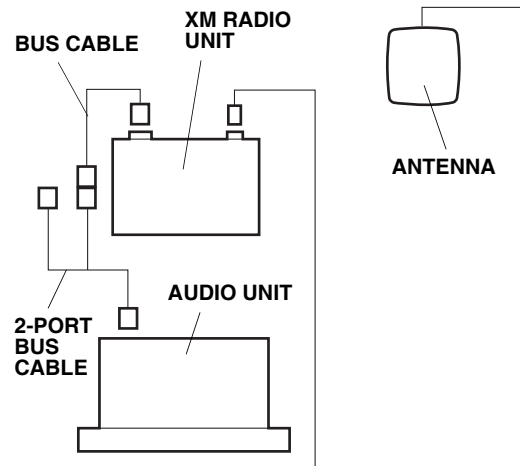
*The following tool is available through the Honda Tool and Equipment Program. On the iN, click on: Service > Service Bay > Tool and Equipment Program, then enter the number under "Search". Or, call 888-424-6857.*

- Plastic Trim Tool (T/N SILTRIMTL10)

## Illustration of the XM Radio System in the Vehicle



Q081801AK

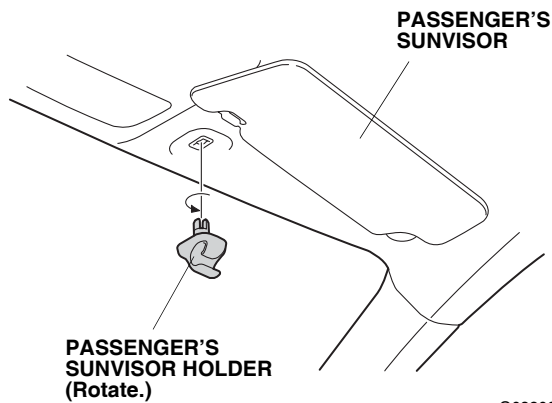


Q082009AK

## INSTALLATION

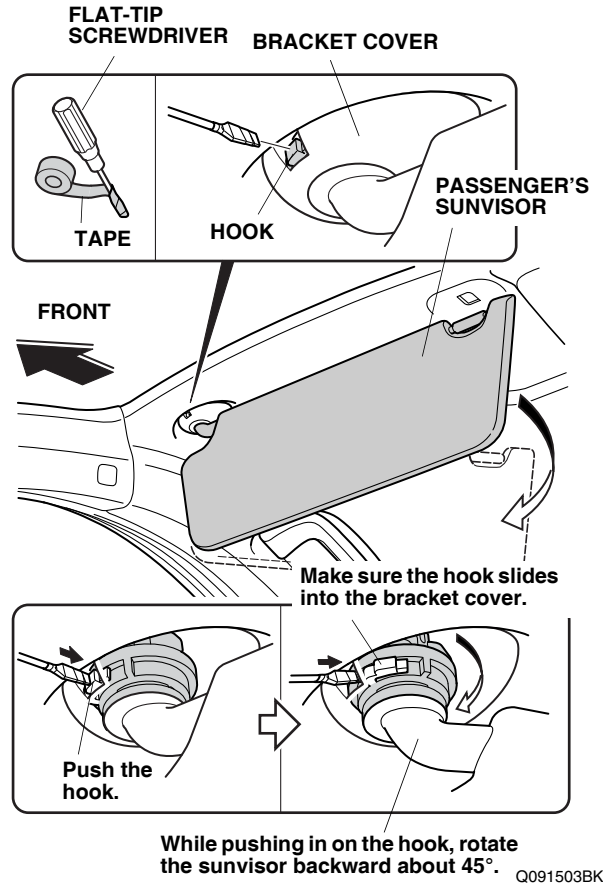
**Customer Information:** The information in this installation instruction is intended for use only by skilled technicians who have the proper tools, equipment, and training to correctly and safely add equipment to your vehicle. These procedures should not be attempted by “do-it-yourselfers.”

1. Disconnect the negative cable from the battery.
2. Remove the passenger's sunvisor holder.



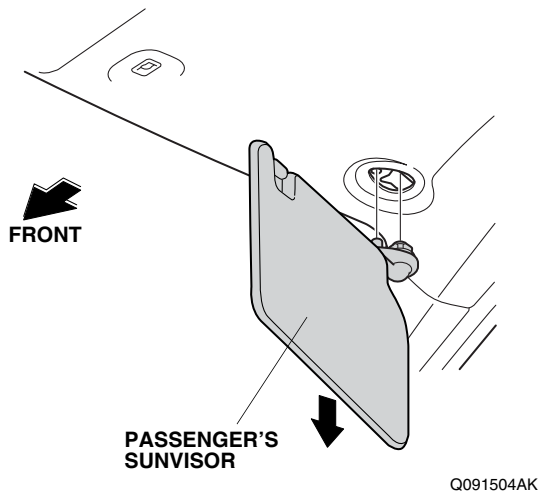
Q082007AK

3. Wrap the end of a flat-tip screwdriver with tape. Locate the slot in the bracket cover, and insert a flat-tip screwdriver into the slot. Push the hook with the flat-tip screwdriver.



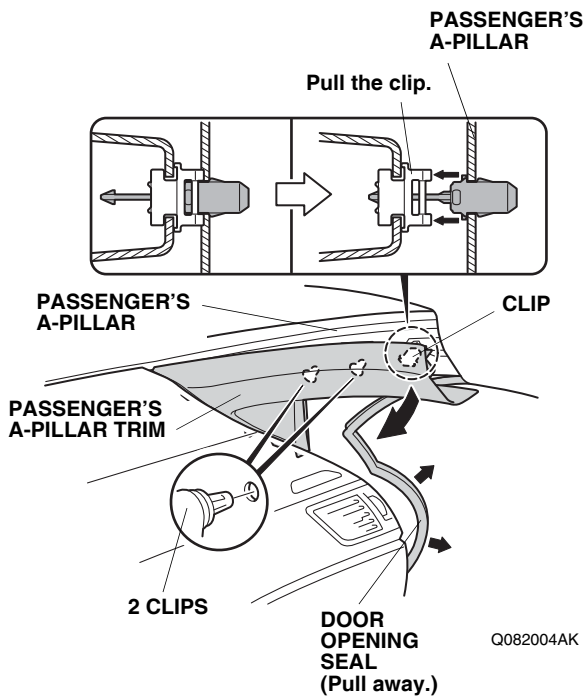
4. While pushing in on the hook, rotate the passenger's sunvisor backward about 45°. Make sure the hook slides into the bracket cover.  
**NOTE:** If the hook did not stay pushed in, return the passenger's sunvisor to its original position and repeat steps 3 and 4.

- Remove the passenger's sunvisor.



For 2-Door Models

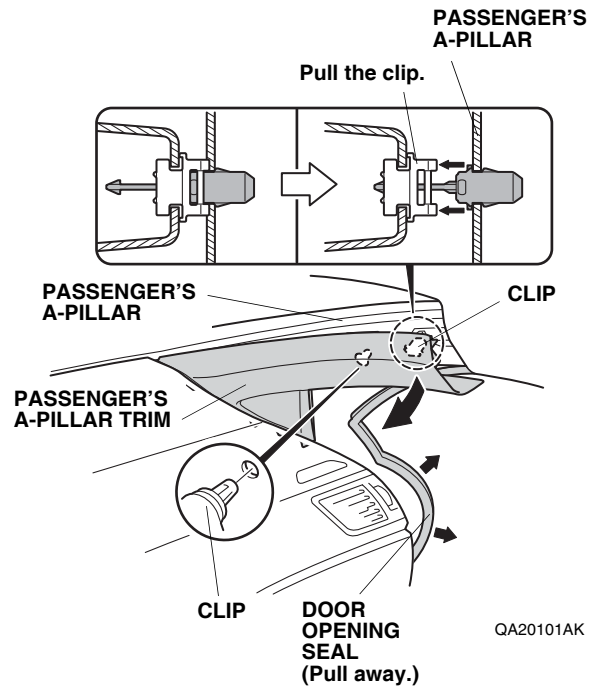
- Pull away the passenger's door opening seal.



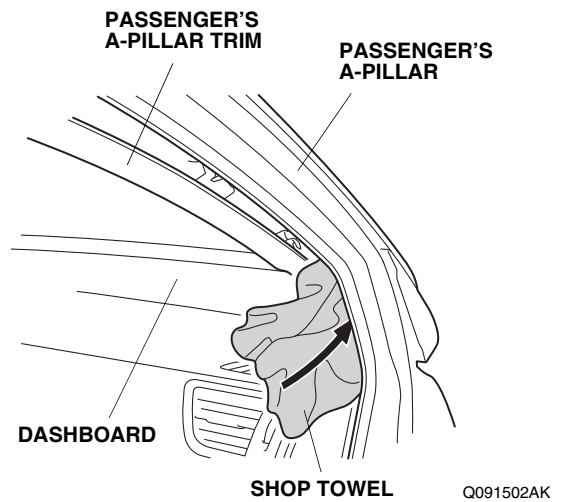
- Pull out the passenger's A-pillar trim to release the clips.

For 4-Door Models

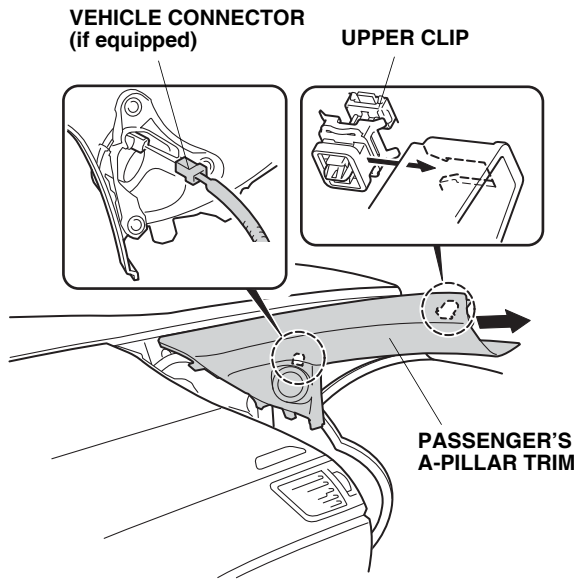
- Pull away the passenger's door opening seal.



- Pull out the passenger's A-pillar trim to release the clips.
- Put a shop towel in the opening between the passenger's A-pillar trim and the dashboard to prevent dropping the A-pillar clips. Take care not to damage the passenger's A-pillar trim.

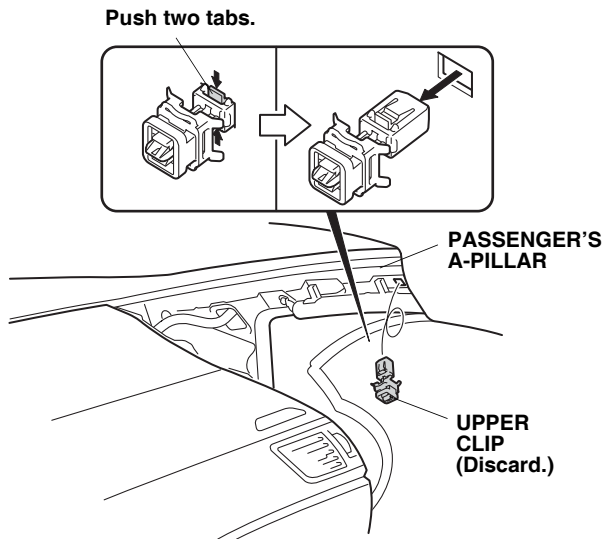


- Remove the passenger's A-pillar trim from the upper clip (unplug the vehicle connector, if equipped). Carefully remove the shop towel and any clips that fell from the passenger's A-pillar trim.  
NOTE: The upper clip will stay in the body.



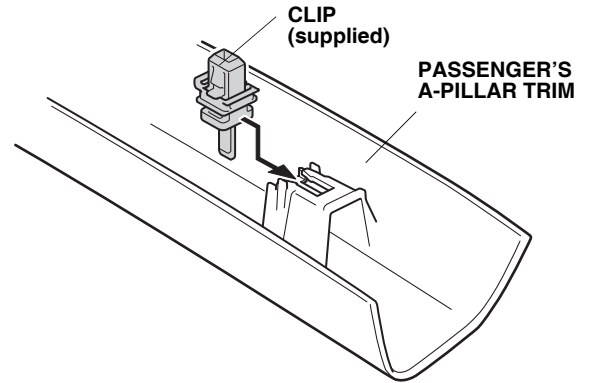
Q082309AK

- Remove the remaining upper clip from the passenger's A-pillar.



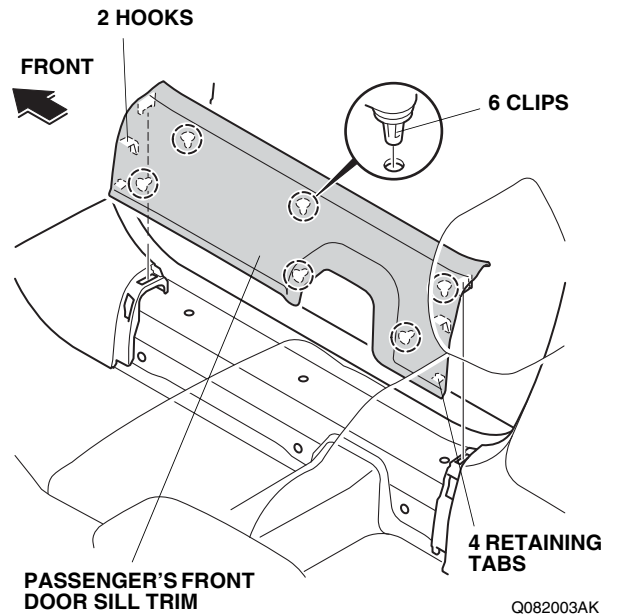
Q082006AK

- Install the new clip (supplied) to the passenger's A-pillar trim.  
NOTE: When reinstalling the A-pillar trim, refer to the service manual for the correct overlap procedure.



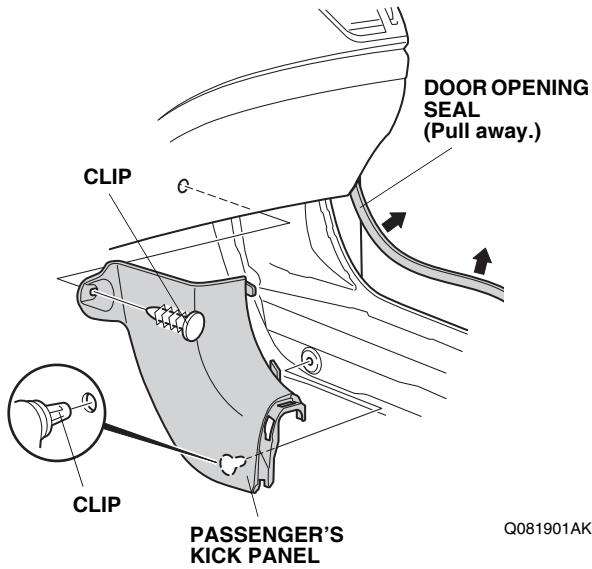
Q0N0533AH

- Remove the passenger's front door sill trim (six clips, two hooks, and four retaining tabs).

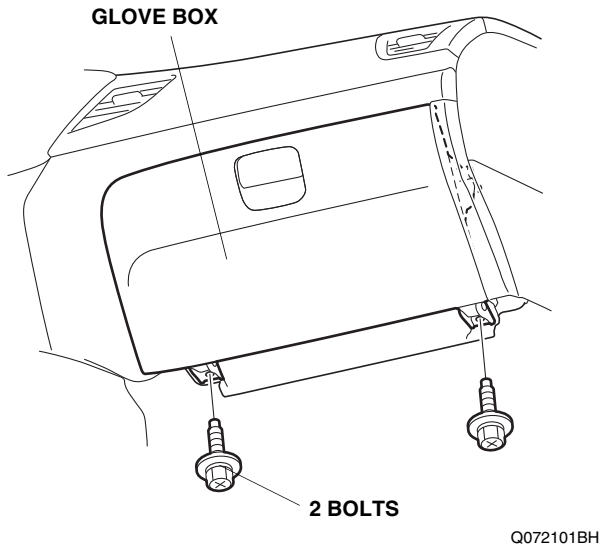


Q082003AK

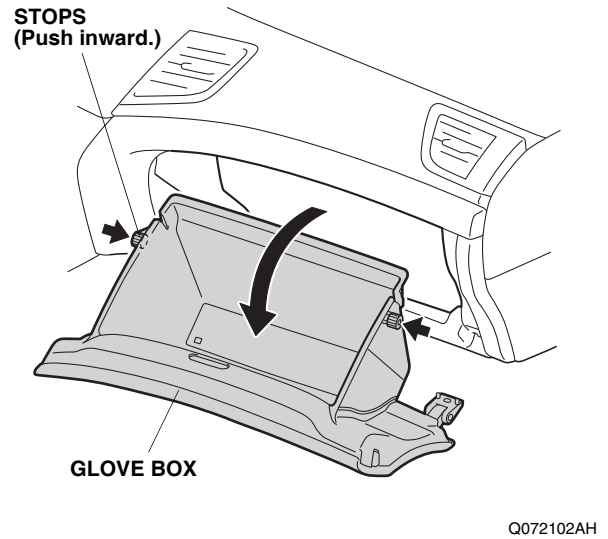
15. Pull away the door opening seal, and remove the passenger's kick panel (two clips).



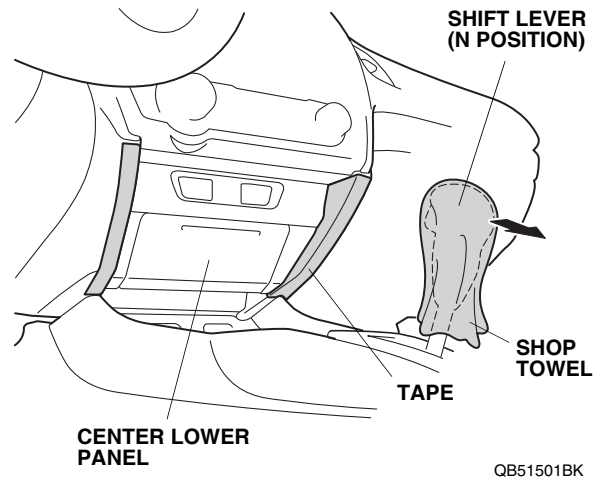
16. Remove the glove box:
  - Remove two bolts.



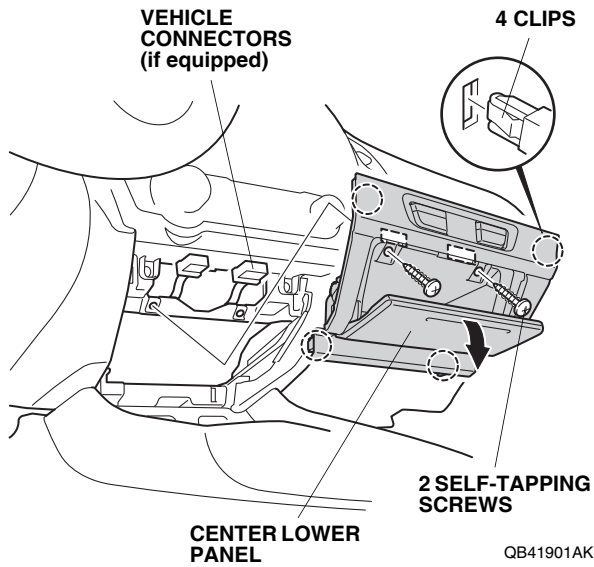
- Open the glove box, push inward on the stops, and remove the glove box.



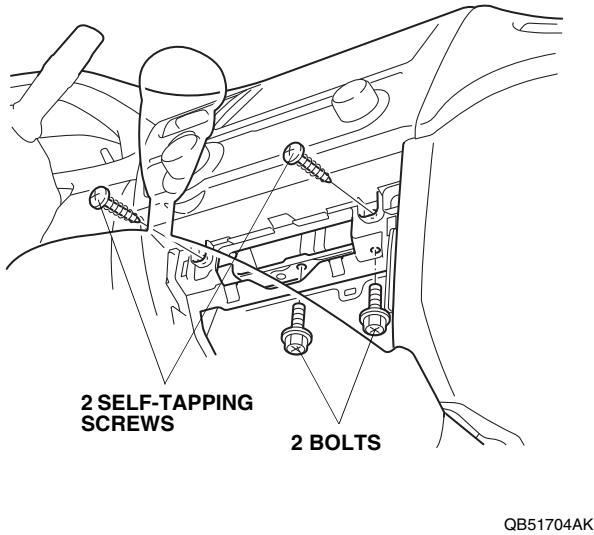
17. To protect the vehicle, attach tape to the dashboard in the areas shown. Move the shift lever to the N (neutral) position, and wrap a shop towel around the shift lever.



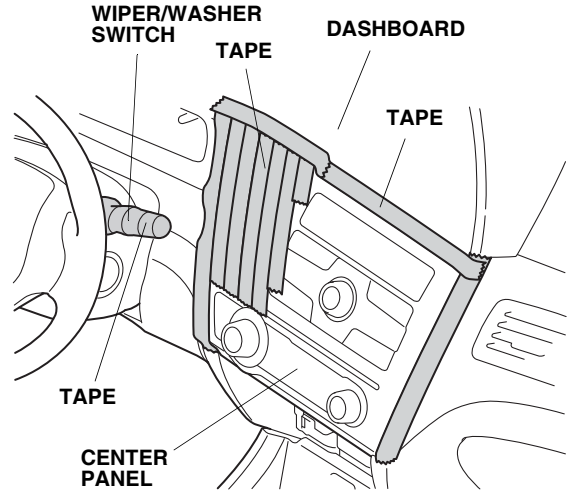
18. Remove the center lower panel (two self-tapping screws, four clips, and unplug the vehicle connectors, if equipped).



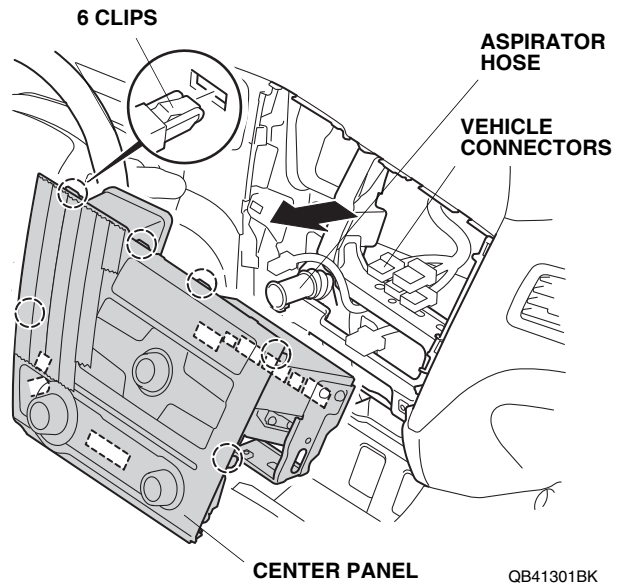
19. Remove two bolts and two self-tapping screws.



20. To protect the vehicle, attach tape to the dashboard, center panel, and wiper/washer switch in the areas shown.



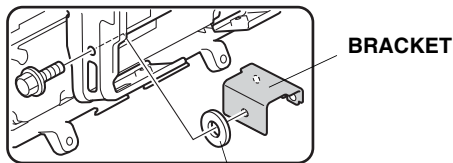
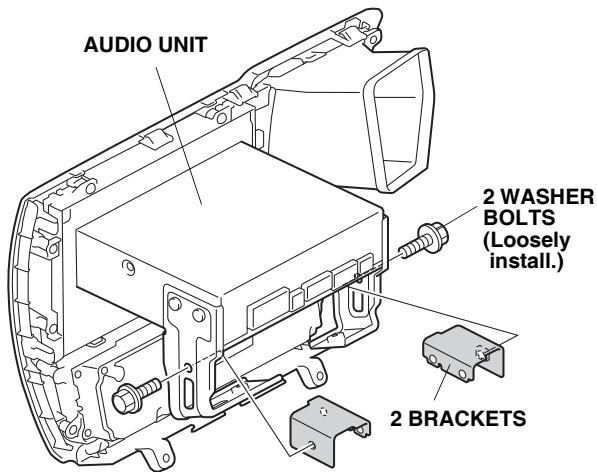
21. Remove the center panel (six clips, aspirator hose, and unplug the vehicle connectors).



## Installing the XM Radio Unit

22. Loosely install two brackets to the audio unit with two washer bolts.

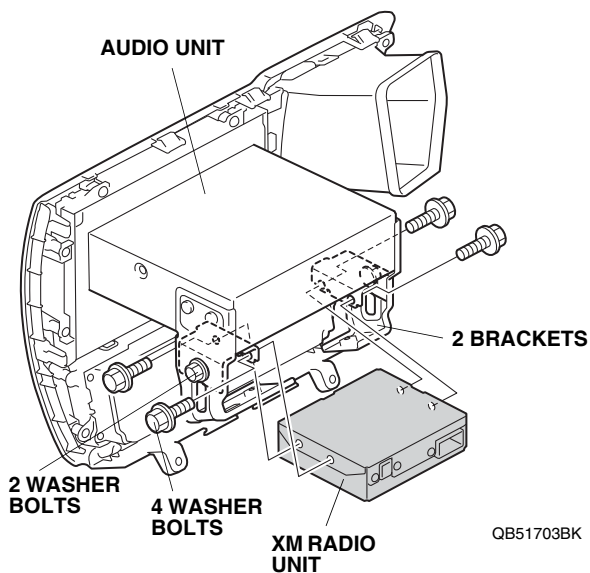
NOTE: There is the gap between the brackets and XM radio unit. Use the spacer to adjust the gap.



QB51702AK

SPACER  
(There is the gap  
between the brackets  
and XM radio unit.)

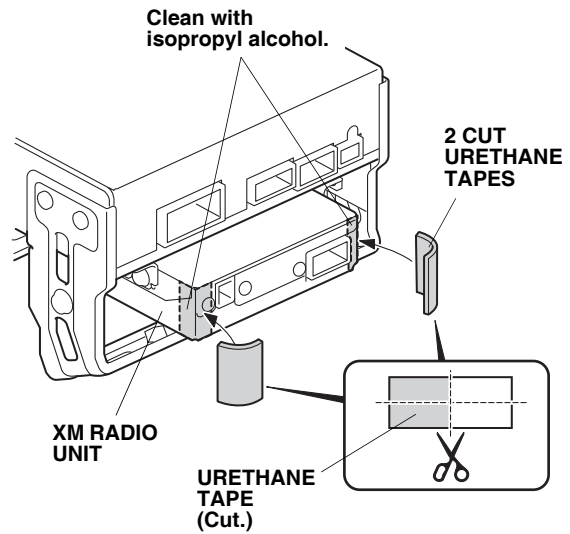
23. Install the XM radio unit to the brackets in the audio unit with four washer bolts.



QB51703BK

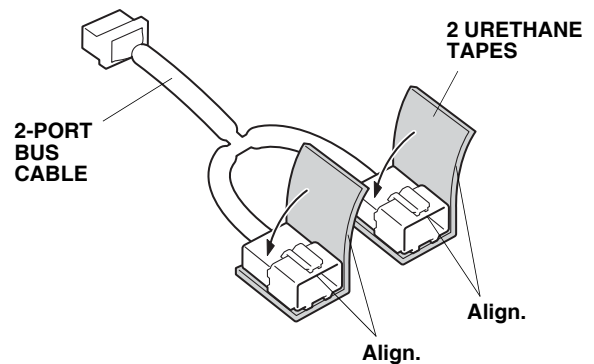
24. Secure two washer bolts installed in step 22.

25. Using isopropyl alcohol on a shop towel, clean the area on the edge of the XM radio unit as shown.



Q081807BK

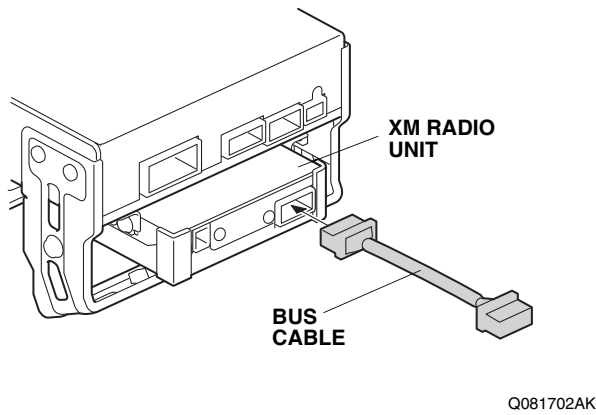
26. Cut the urethane tape as shown.  
27. Attach two halves of urethane tape to the XM radio unit as shown.  
28. Wrap two urethane tapes around two 2-port bus cable connectors as shown.



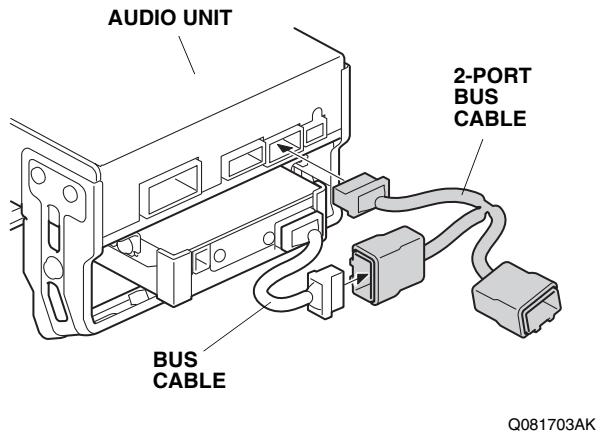
Q081808AK



29. Plug the bus cable connector into the XM radio unit.

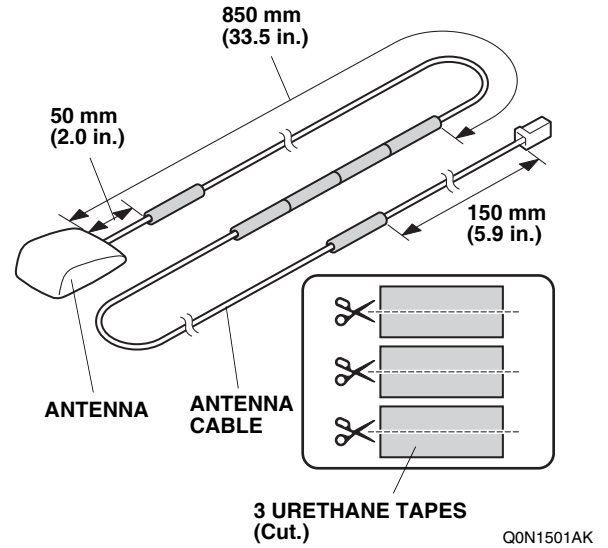


30. Plug the 2-port bus cable into the audio unit connector and the bus cable connector.



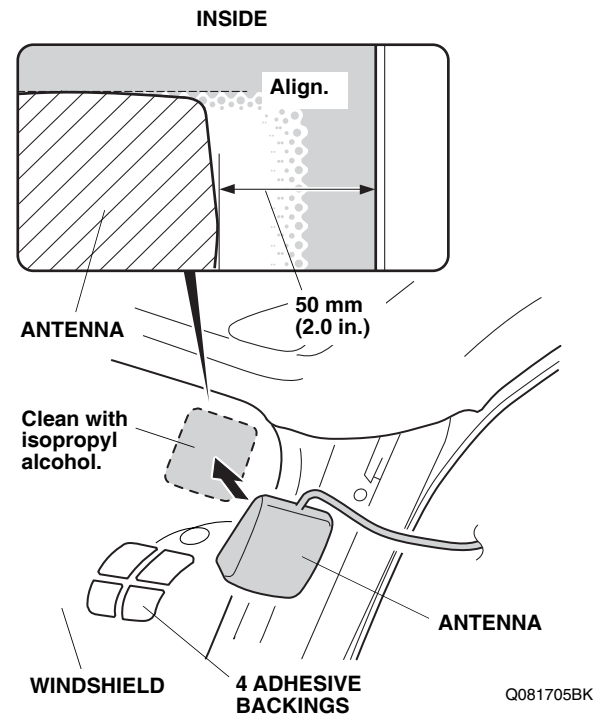
### Routing the Antenna Cable

31. Cut three urethane tapes in half as shown.



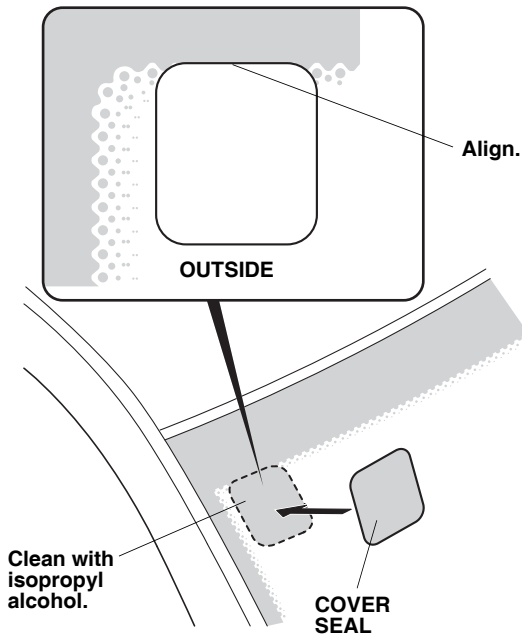
32. Wrap six halves of urethane tape around the antenna cable at the measurements shown.

33. Using isopropyl alcohol on a shop towel, clean the area shown on the inside of the windshield.



34. Remove four adhesive backings from the antenna, and attach the antenna in the location shown. Apply firm pressure to securely attach the antenna.

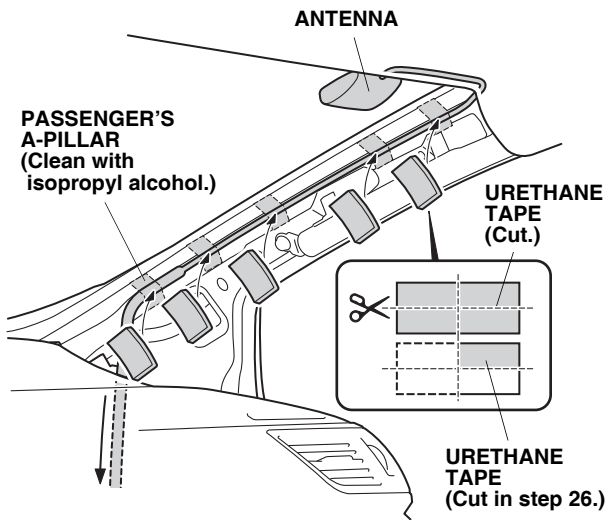
35. Using isopropyl alcohol on a shop towel, clean the area shown on the outside of the windshield.



Q081706BK

36. Remove the adhesive backing from the cover seal, and attach it to the outside of the windshield, positioned over the antenna.

37. Cut one urethane tape as shown.

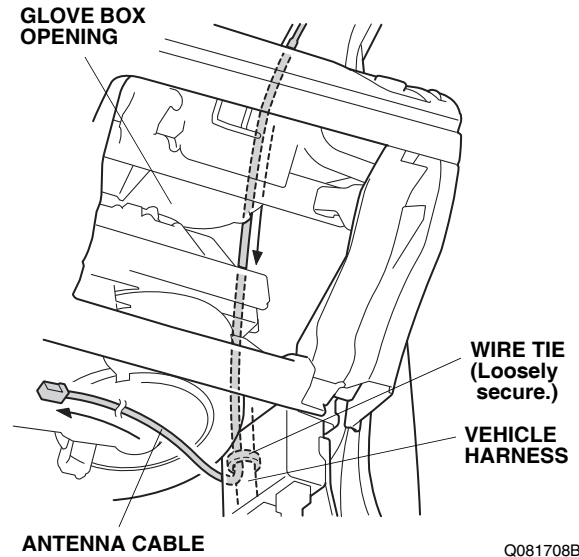


Q081707BK

38. Route the antenna cable along the passenger's A-pillar. Using five pieces of urethane tape, secure the antenna cable to the passenger's A-pillar in the areas shown after cleaning with isopropyl alcohol on a shop towel.

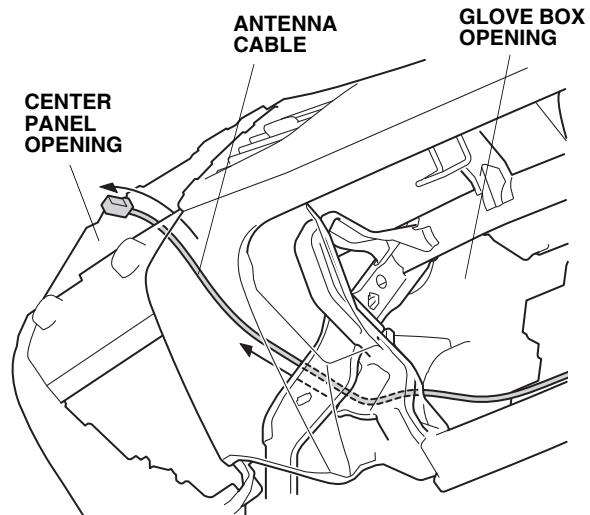
NOTE: Do not attach the urethane tape over any vehicle holes, pay attention to the orientation of the urethane tape.

39. Route the antenna cable down. Loosely secure the antenna cable to the vehicle harness with one wire tie.



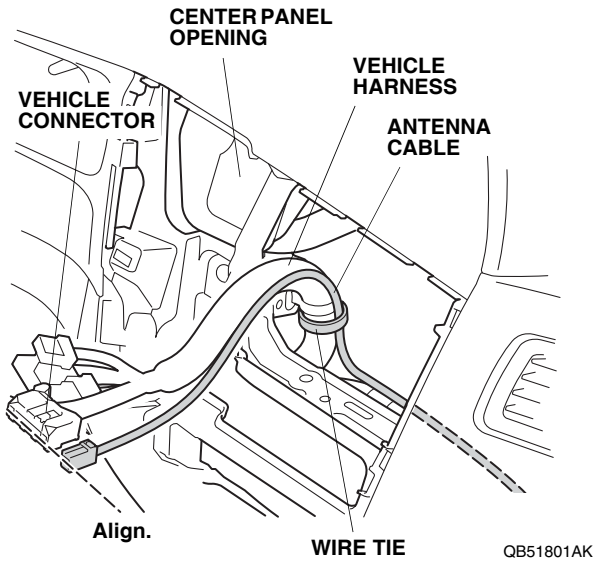
Q081708BK

40. Route the antenna cable to the center panel opening as shown.

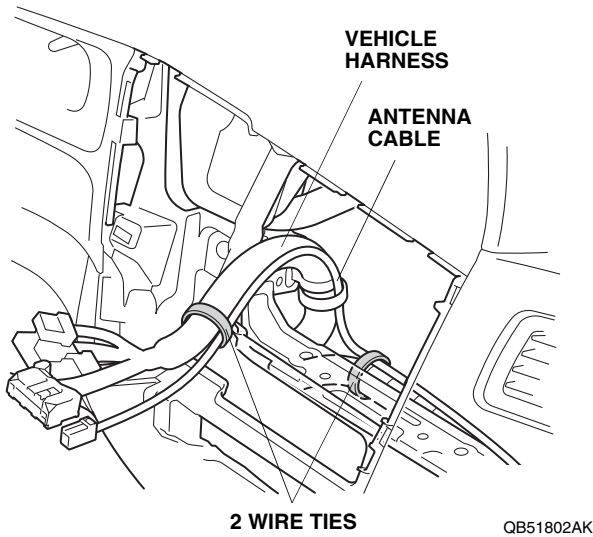


Q091550AK

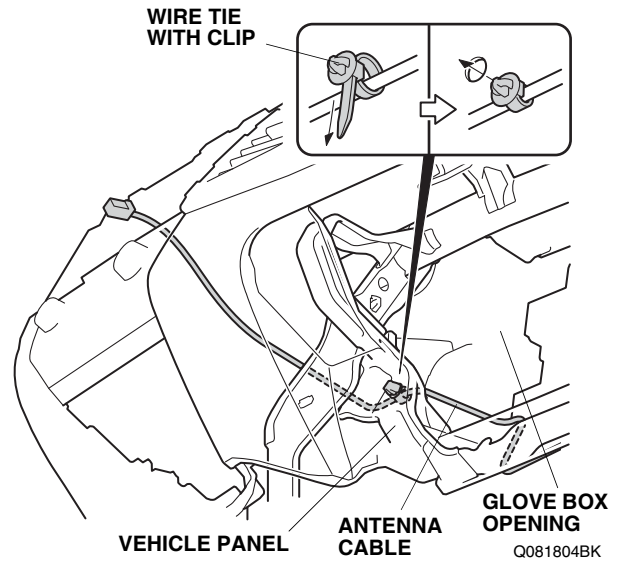
41. Route the antenna cable through the center panel opening, and align it with the vehicle connector.



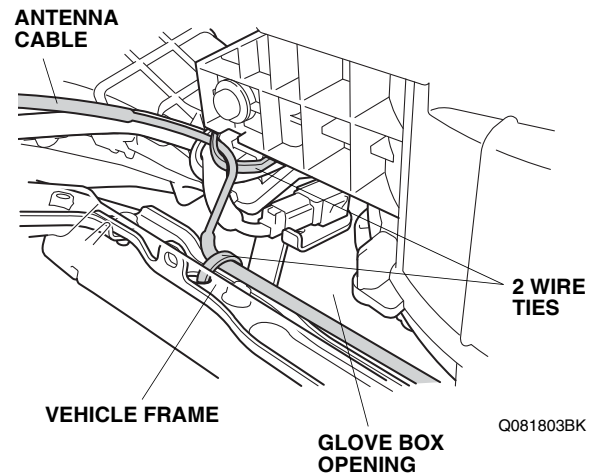
42. Secure the antenna cable to the vehicle harness with one wire tie.
43. Secure the antenna cable to the vehicle harness with two wire ties.



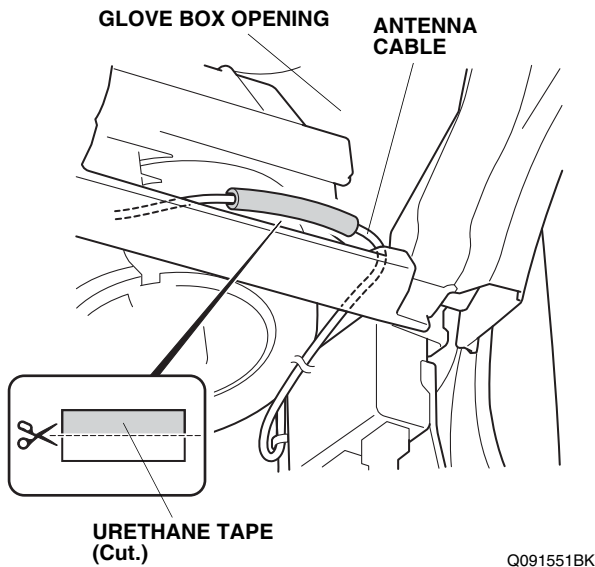
44. Secure the antenna cable to the vehicle panel with one wire tie with clip in the area shown.



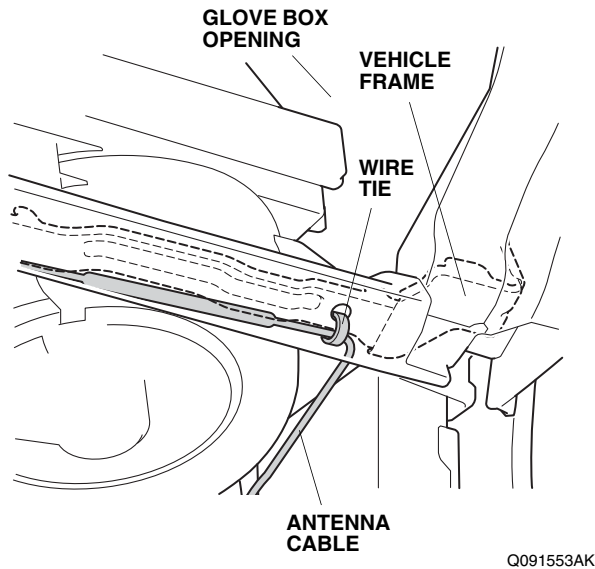
45. Secure the antenna cable to the vehicle frame with two wire ties.



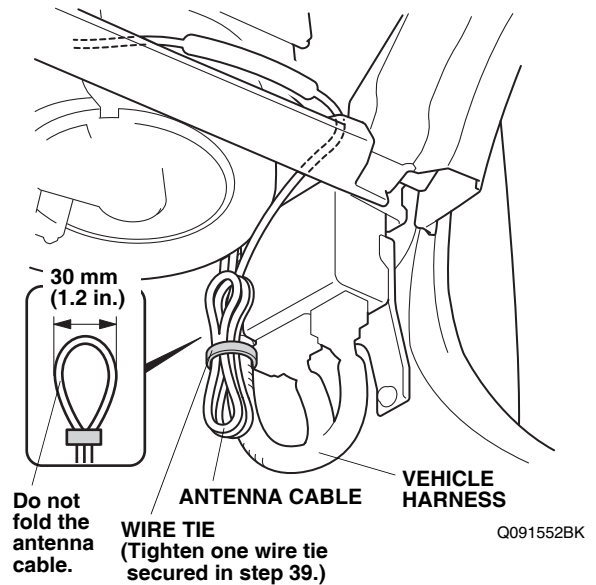
46. Cut one urethane tape, and wrap the piece of urethane tape around the antenna cable as shown.



47. Secure the antenna cable to the vehicle frame with one wire tie.



48. Bundle the antenna cable, and secure it to the vehicle harness with one wire tie.



49. Plug the 2-port bus cable connector to the vehicle connector.
50. Plug the antenna cable connector to the XM radio unit.
51. Plug the vehicle connectors to the audio unit, and reinstall the center panel.
52. Check that all wire harnesses are routed properly and all connectors are plugged in.
53. Check the overlap between the headliner and the passenger's A-pillar trim. Refer to the service manual. If necessary, adjust the overlap.
54. Reinstall all removed parts.
55. Connect the negative cable to the battery and check operation of all lights and other electrical accessories.
56. Press and hold the radio power button for two seconds to restore radio and navi (if equipped) system functions.
57. Reset the clock on vehicles without navigation.
58. Check the operation of the XM radio system according to the Accessory User's Information Manual.