

HONDA INSTALLATION INSTRUCTIONS

Accessory
CARGO COVER

Application
2012 FIT

Publications No.
All 46787
Issue Date
AUG 2011

PARTS LIST

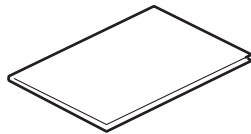
Cargo cover



2 Clips

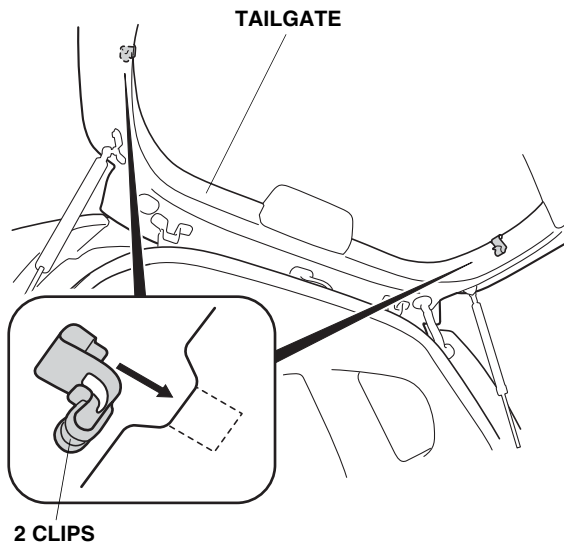


Accessory User's Information Manual

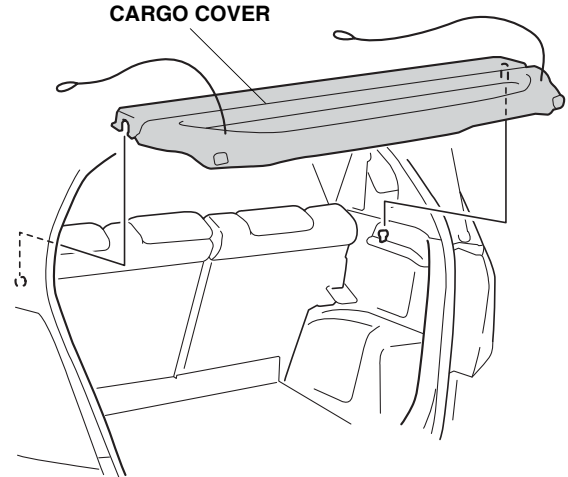


INSTALLATION

1. Install the two clips to the inside of the tailgate frame.



2. Install the cargo cover in the cargo area.



3. Hook the cords to the clips on the tailgate.

