



# INSTALLATION INSTRUCTIONS

Accessory  
**REMOTE CONTROL  
ENGINE STARTER**

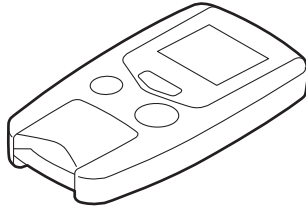
Application  
**2011 ACCORD  
4-DOOR  
(A/T ONLY)**

Publications No.  
**All 44031**  
Issue Date  
**AUG 2010**

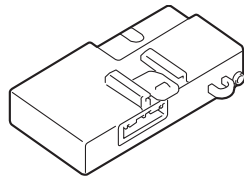
## PARTS LIST

### Remote Engine Starter Unit Kit P/N 08E91-E22-101A

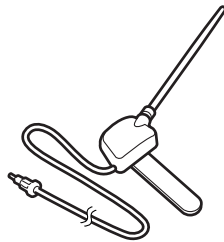
Transmitter



Control unit



Antenna



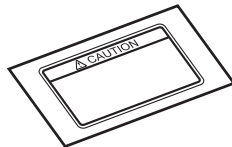
Key ring



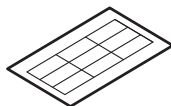
Protective tape



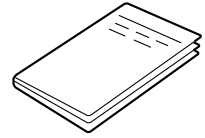
Caution label



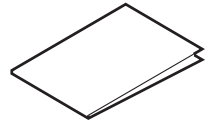
Fuse labels



Accessory User's Information Manual

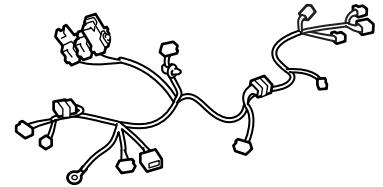


Quick start guide



### Remote Control Engine Starter Attachment Kit P/N 08E92-TA0-101

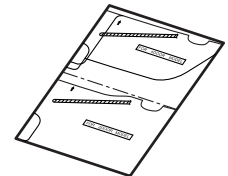
Engine starter harness



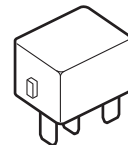
Control unit bracket



Template



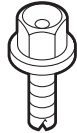
3 Relays



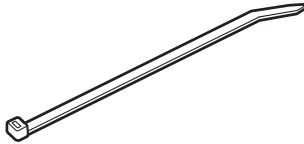
Flange nut



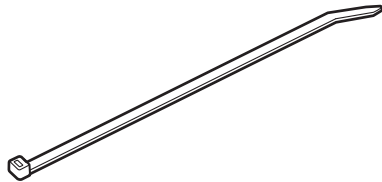
Ground bolt



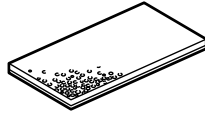
20 Wire ties



2 Long wire ties



8 Urethane tapes



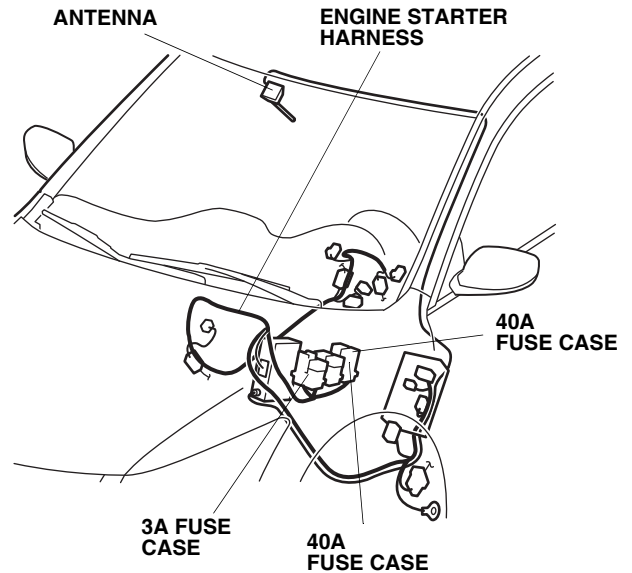
A-Pillar clip



## TOOLS AND SUPPLIES REQUIRED

Flat-tip screwdriver  
Phillips screwdriver  
Small flat-tip screwdriver  
Ratchet  
10 mm Socket  
Combination wrench  
Isopropyl alcohol  
Shop towel  
Tape measure  
Clip remover  
Scissors  
Small rubber mallet  
Honda Diagnostic System (HDS)  
Masking tape  
Needle nose pliers

## Illustration of the Engine Starter Installed on the Vehicle



## INSTALLATION

**Customer Information:** The information in this installation instruction is intended for use only by skilled technicians who have the proper tools, equipment, and training to correctly and safely add equipment to your vehicle. These procedures should not be attempted by “do-it-yourselfers.”

### NOTE:

This antenna should be installed only if the ambient air temperature 15°C (60°F) or above.

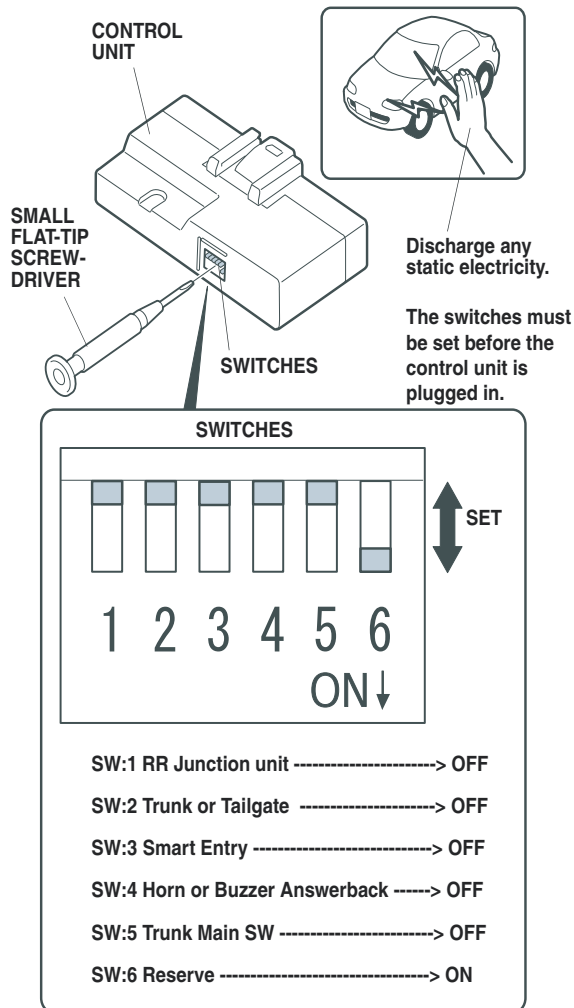
1. Make sure you have the anti-theft code for the radio, then write down the radio station presets.
2. Disconnect the negative cable from the battery.

## Setting the Control Unit

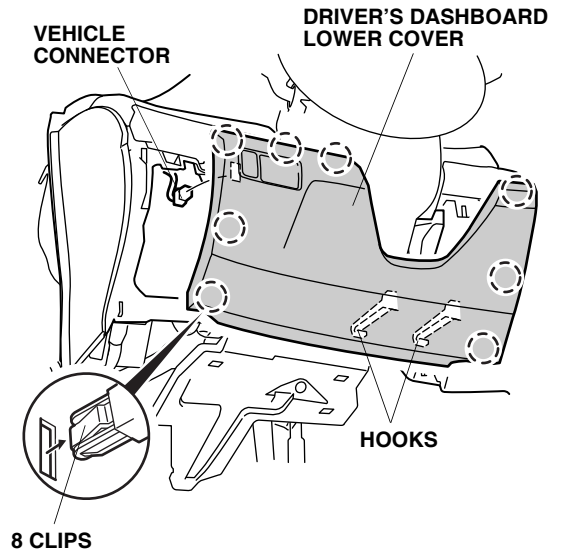
- Using a small flat-tip screwdriver, set the switches on the (accessory) control unit to the locations shown. Using isopropyl alcohol on a shop towel, clean the area where the protective tape will attach. Remove the adhesive backing, and attach the protective tape to the control unit.

### NOTE:

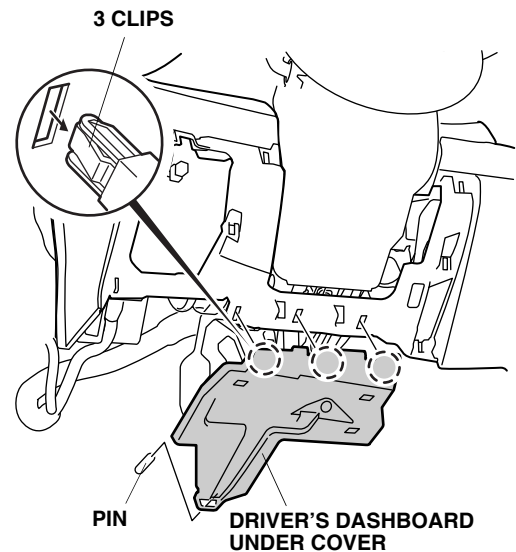
- The switches must be set before the control unit is plugged in.
- If the switch setting is not correct the remote engine starter will not operate correctly.
- If adjusting the switches with the control unit installed in the vehicle, touch the metal part of the screwdriver to any metal part of the vehicle to discharge any static electricity.
- If you change the switch settings with the unit connected, you must disconnect the unit then reconnect it before the new settings are recognized.



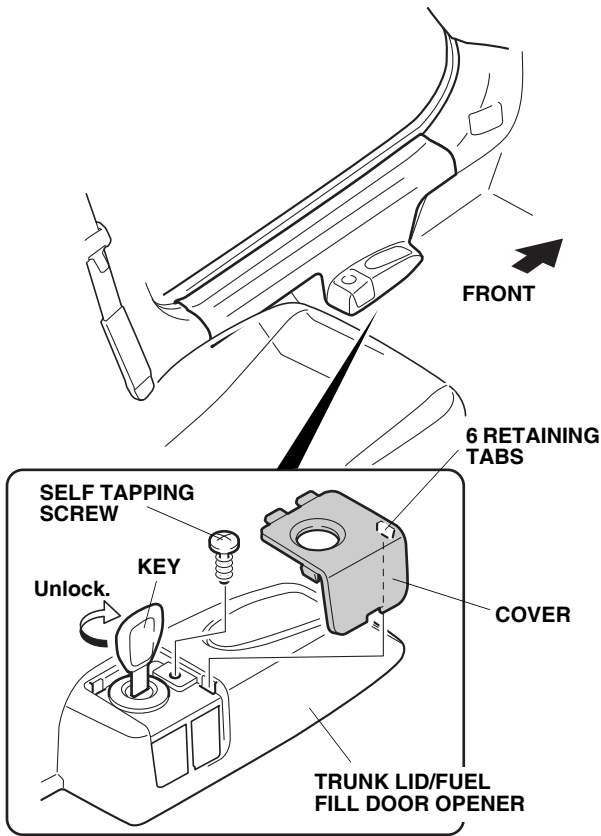
- Remove the driver's dashboard lower cover (eight clips, two hooks, and disconnect the vehicle connector).



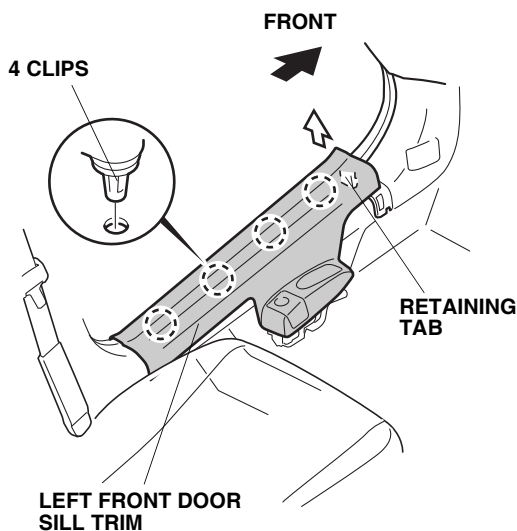
- V6 Model only: Remove the driver's dashboard under cover (three clips and one pin).



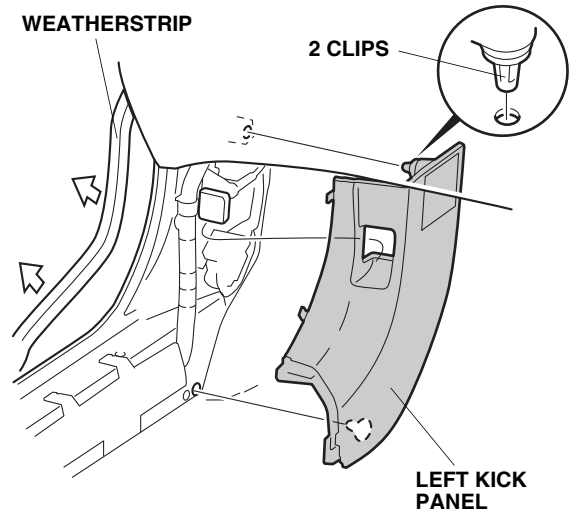
- Remove the cover from the trunk lid/fuel fill door opener (six retaining tabs), and remove one self-tapping screw. Make sure the trunk lid/fuel fill door opener is unlocked.



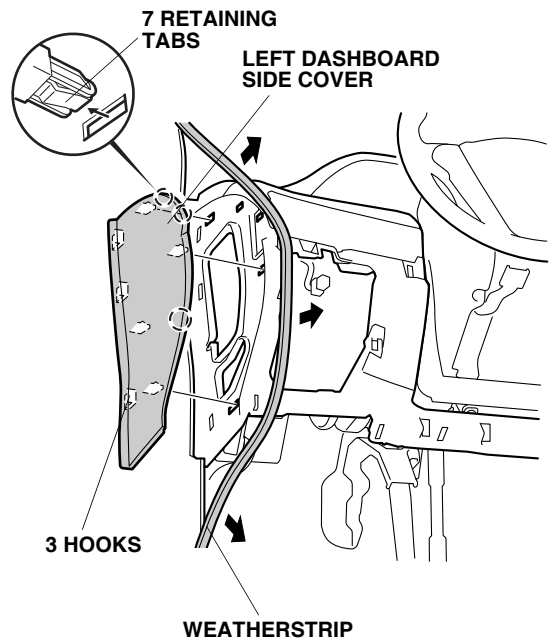
- Lift up the front portion of the left front door sill trim, then remove it (four clips and retaining tab).



- Pull away the weatherstrip, and remove the left kick panel (two clips).



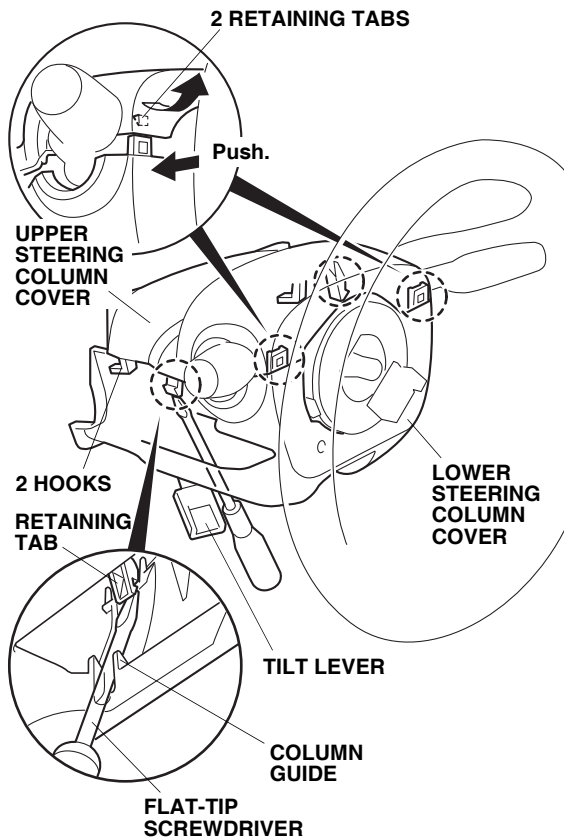
- Pull away the weatherstrip and remove the left dashboard side cover (seven retaining tabs and three hooks).



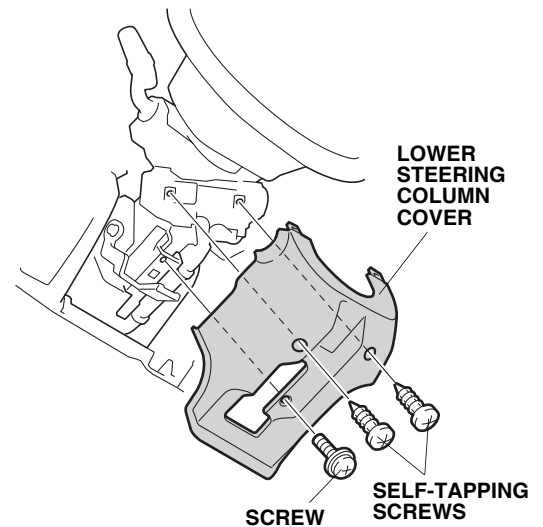
10. Lower the tilt lever and pull the steering wheel out.

11. Remove the upper steering column cover:

- Insert a flat-tip screwdriver along the column guide inside the lower cover, and gently pry out on the retaining tab on the upper column cover.
- Push the lower cover in at the areas shown to release the two retaining tabs, and pull up on the upper cover to release the two hooks.

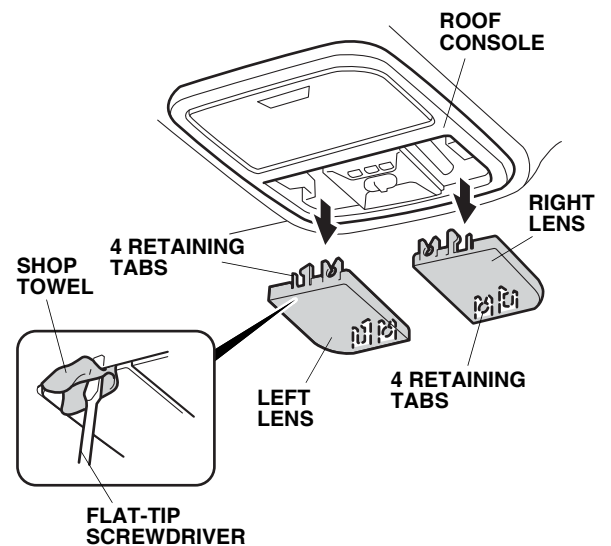


12. Remove the lower steering column cover (three screws). The upper screws are self-tapping screws.

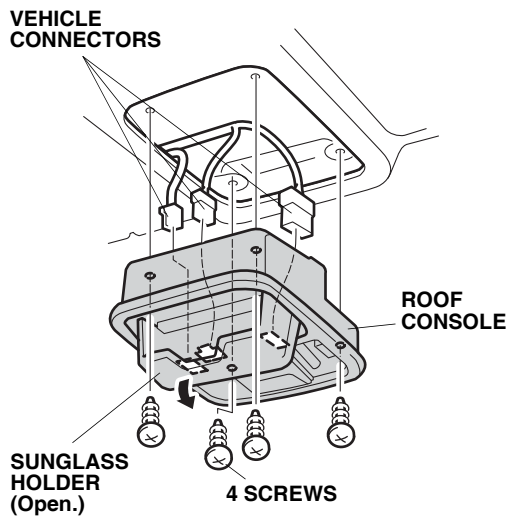


13. Remove the roof console:

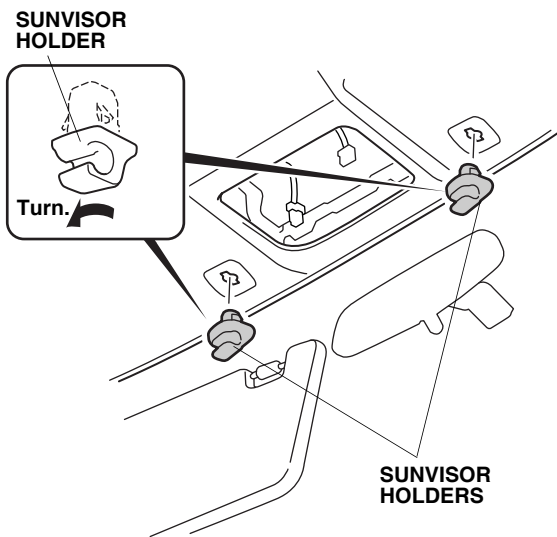
- Using a small flat-tip screwdriver wrapped with a shop towel, pry out and remove the left and right lenses (four retaining tabs each).



- Open the sunglass holder, and remove the four screws.
- Disconnect the vehicle connectors to remove the roof console.

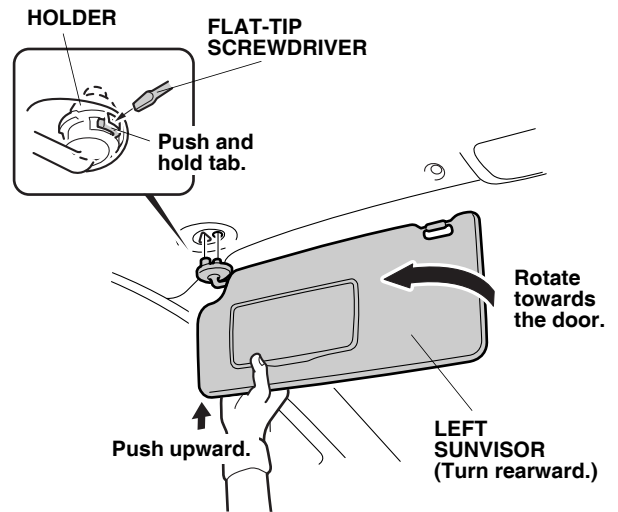


14. Remove the two sunvisor holders by turning them 90°.

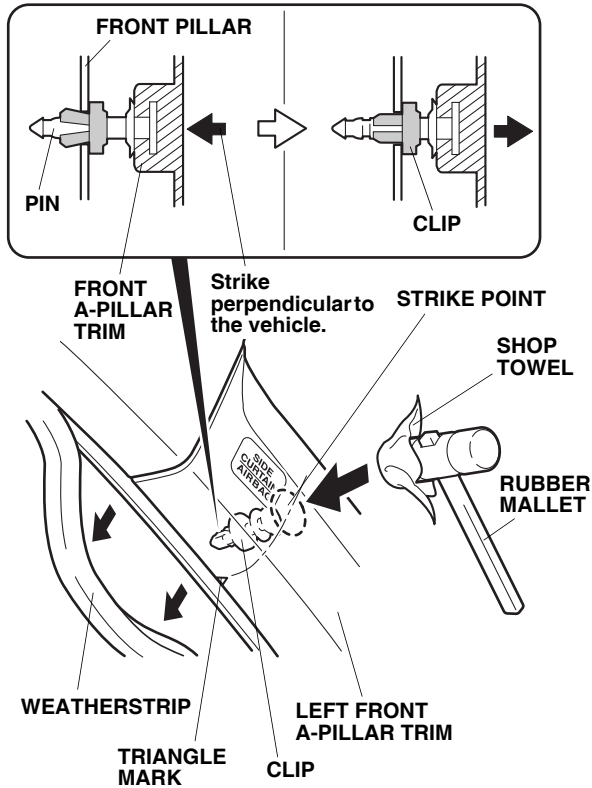


15. Remove the driver's sunvisor.
- Pivot the left sunvisor downward.
  - Locate the slot in the sunvisor holder, and insert a flat-tip screwdriver into the slot. Push in and hold the retaining tab.
  - While holding the retaining tab, push up on the left sunvisor and rotate it toward the door to remove.

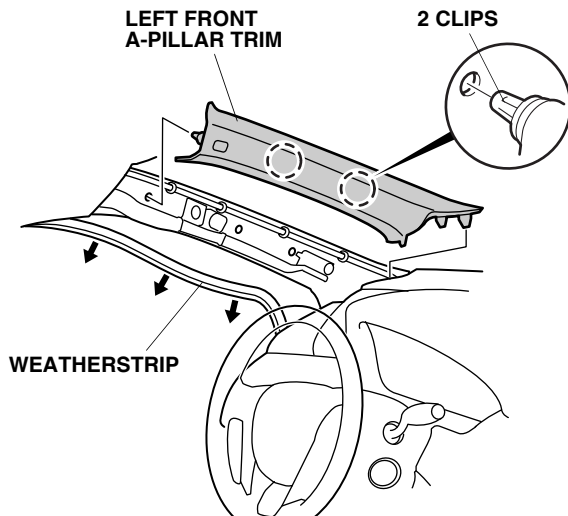
NOTE: If the retaining tab did not stay pushed in, return the left sunvisor to its original position and repeat the steps above.



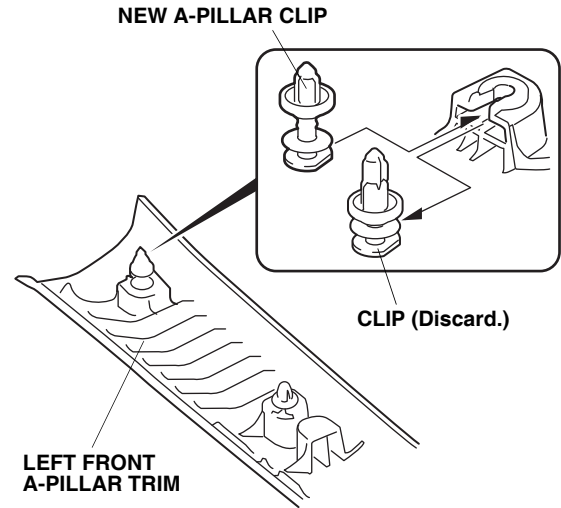
- Pull away the weatherstrip from the left front A-pillar trim.



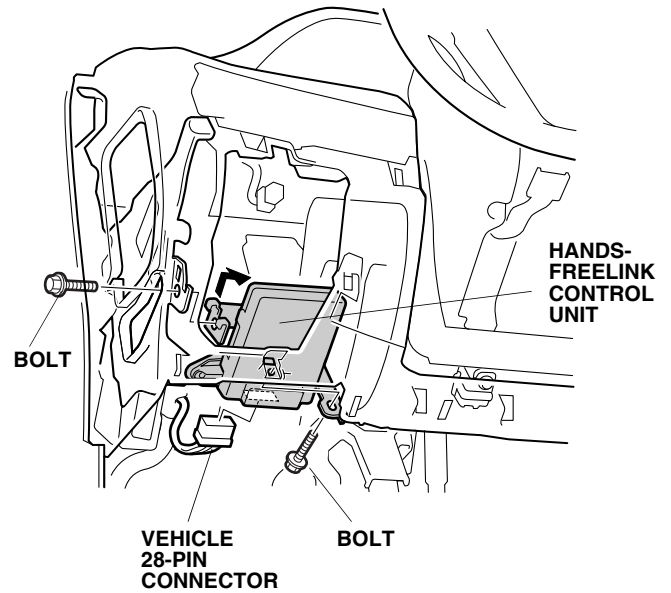
- Using a small rubber mallet and a shop towel, gently tap the left front A-pillar trim at the position shown to release the clip.
- Pull away the weatherstrip from the left front A-pillar trim. Remove the left front A-pillar trim (two clips).



- Remove and discard the clip from the left front A-pillar trim, and install a new A-pillar clip (supplied) on the left front A-pillar trim.

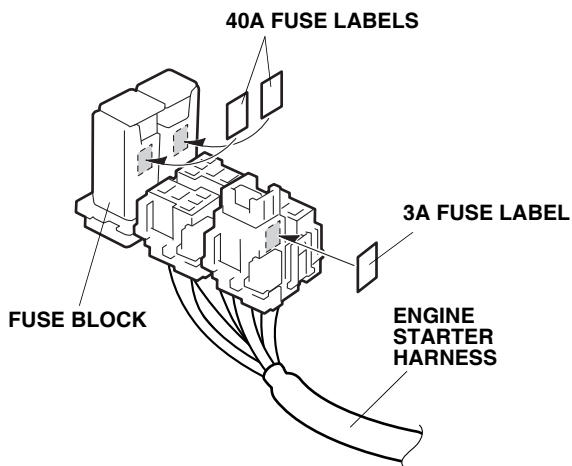


- If equipped, remove the HandsFreeLink control unit (two bolts and disconnect the vehicle 28-pin connector).

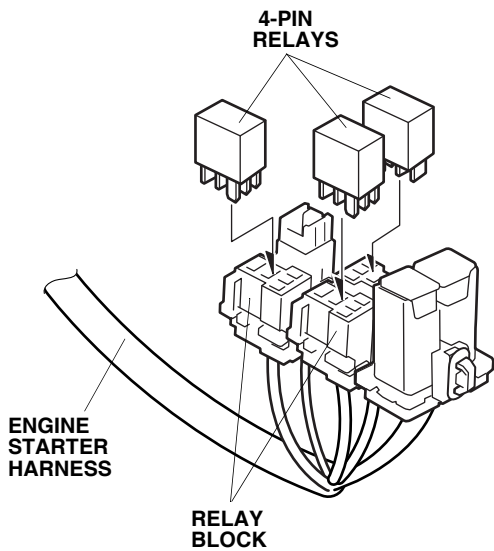


## Routing the Engine Starter Harness

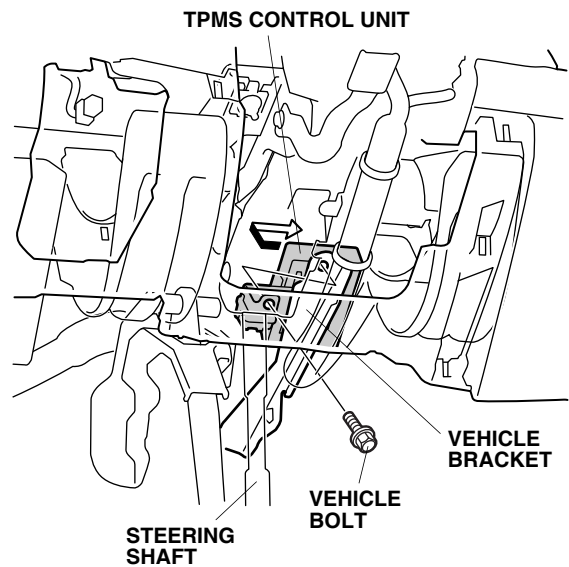
21. Attach the two 40A fuse labels to the engine starter fuse block.



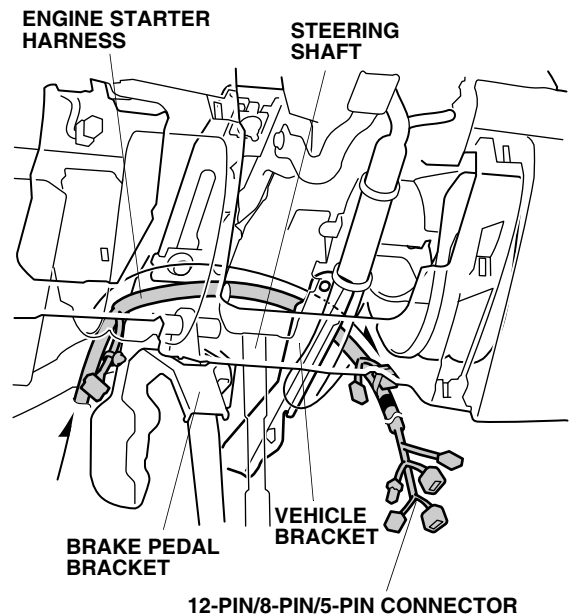
22. Attach the 3A fuse label to the engine starter relay block.
23. Install the three relays in to the engine starter relay blocks.



24. Remove the vehicle bolt, and remove the TPMS control unit from the vehicle bracket.

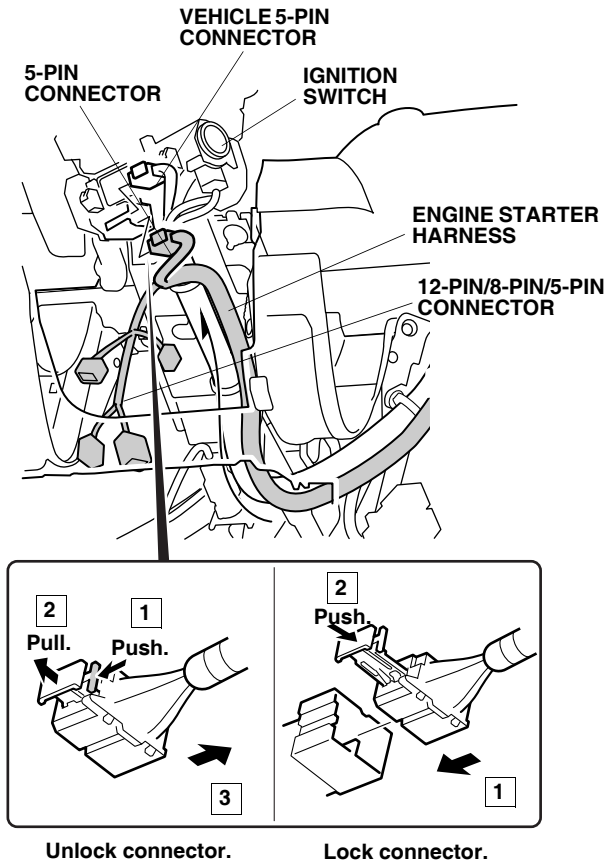


25. Route the 12-pin/8-pin/5-pin connector end of the engine starter harness over the brake pedal bracket towards the center of the vehicle.



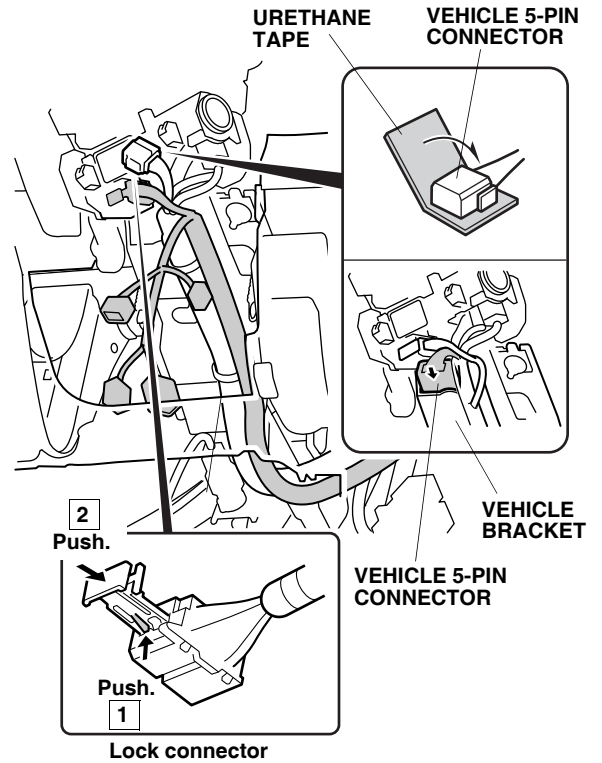


26. Route the 12-pin, 8-pin, and 5-pin connector end of the engine starter harness to the ignition switch.

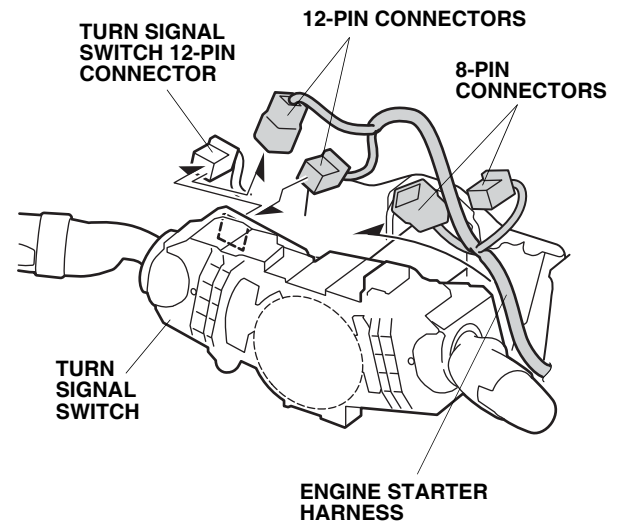


27. Disconnect the vehicle 5-pin connector from the ignition switch, and plug the engine starter harness 5-pin connector into the ignition switch.
- NOTE:** Check that the engine starter harness 5-pin connector is securely connected to the vehicle connector. A loose connector can cause the engine to stall.

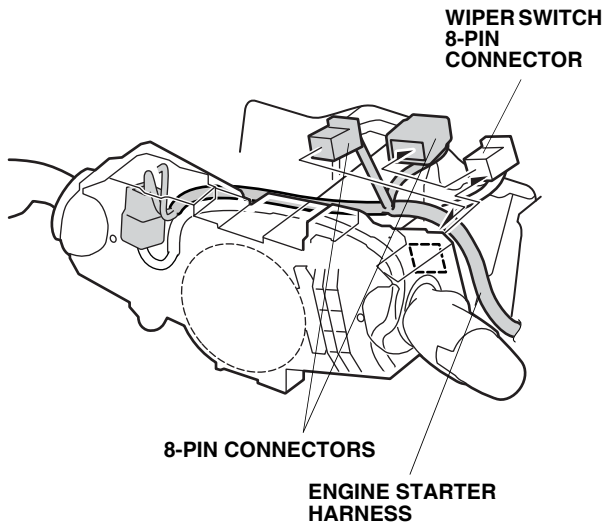
28. Wrap one urethane tape around the vehicle 5-pin connector, and tuck it into the area shown.



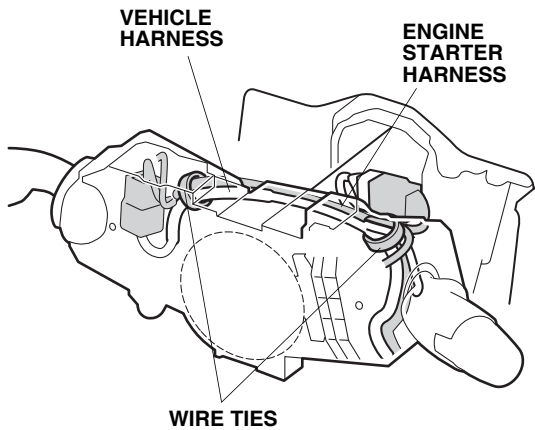
29. Disconnect the turn signal switch 12-pin connector, and plug it into the engine starter harness 12-pin connector. Plug the remaining engine starter harness 12-pin connector into the turn signal switch.



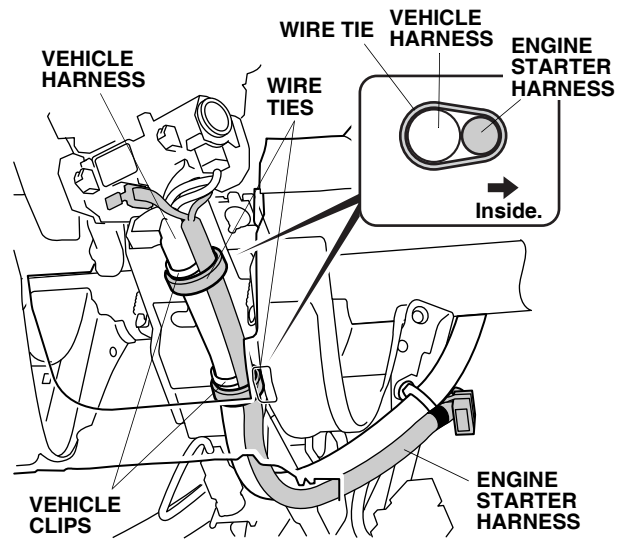
30. Disconnect the wiper switch 8-pin connector and plug it into the engine starter harness 8-pin connector. Plug the remaining engine starter harness 8-pin connector into the wiper switch.



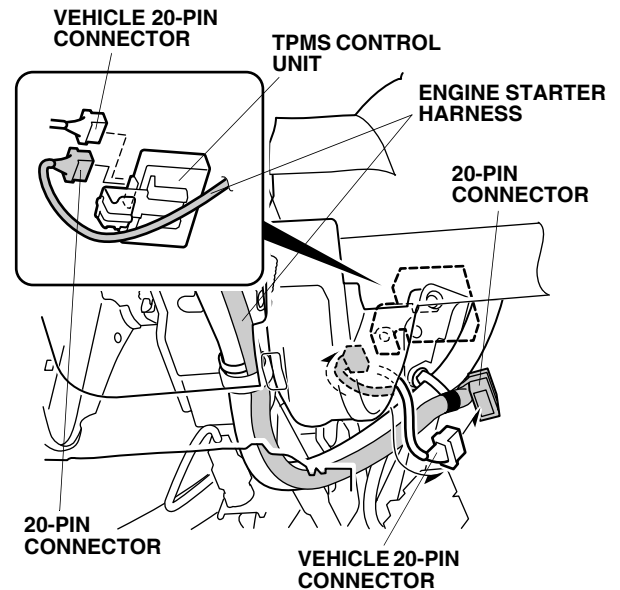
31. Secure the engine starter harness to the vehicle harness using two wire ties. Do not secure it to the SRS harness.



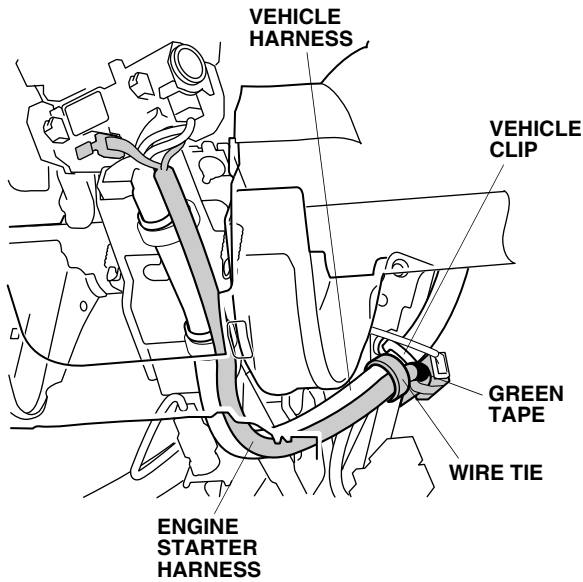
32. Secure the engine starter harness to the vehicle harness with two wire ties in the areas shown.



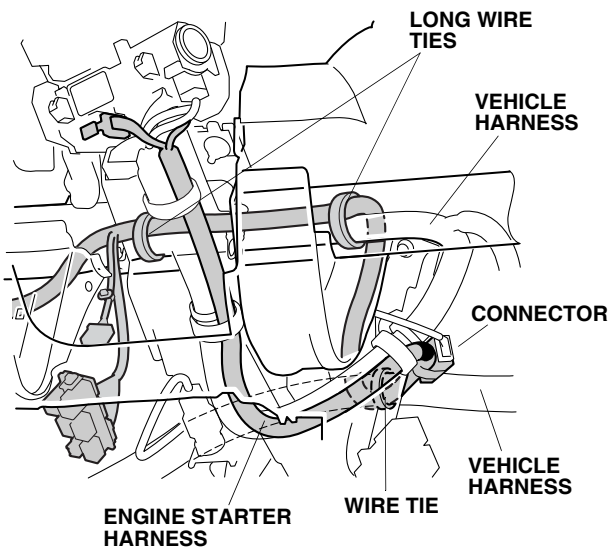
33. Disconnect the vehicle 20-pin connector from the TPMS control unit (removed in step 24), and plug it into the engine starter harness 20-pin connector. Plug the remaining engine starter harness 20-pin connector into the TPMS control unit.



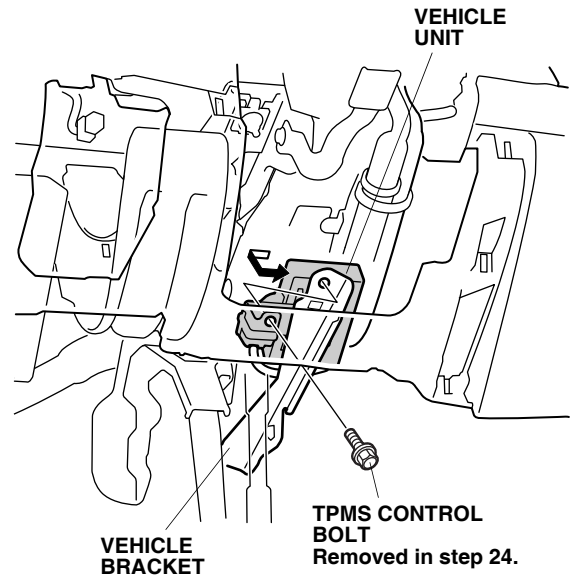
34. Align the green tape on the engine starter harness with the clip on the vehicle harness, and secure the engine starter harness to the vehicle harness with one wire tie.



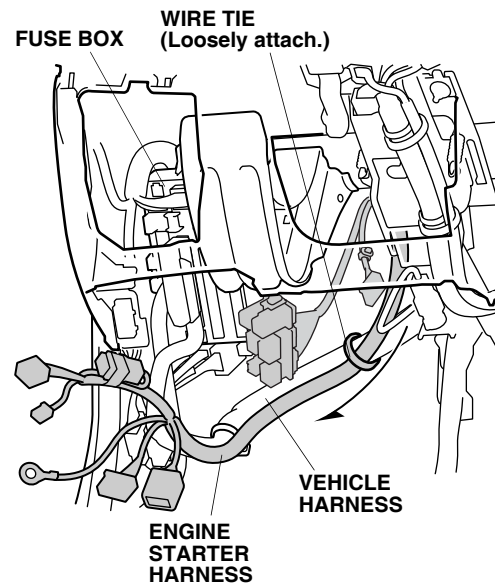
35. Near the connector, secure the engine starter harness to the vehicle harness with one wire tie.



36. Secure the engine starter harness to the vehicle harness with two long wire ties at the locations shown.
37. Reinstall the TPMS control unit to the vehicle bracket using the vehicle bolt removed in step 24.

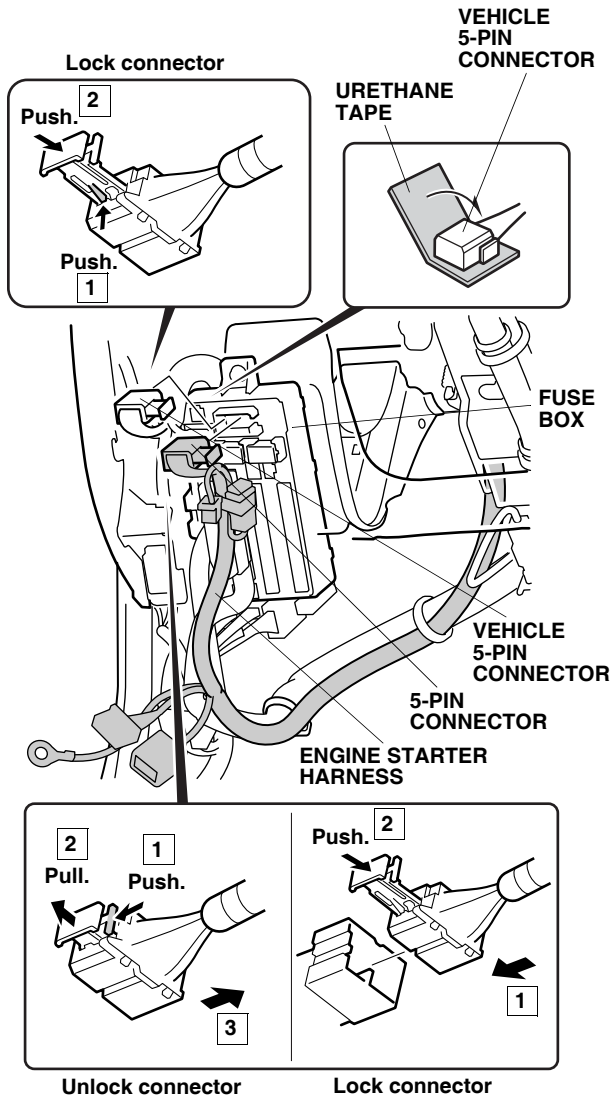


38. Route the engine starter harness along the vehicle harness to the front of the fuse box.

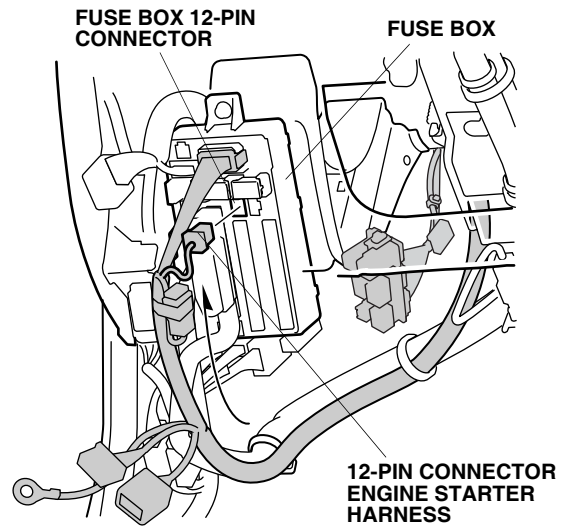


39. Loosely attach the engine starter harness to the vehicle harness with one wire tie.
40. Disconnect the vehicle 5-pin connector from the fuse box. Plug the engine starter harness 5-pin connector into the fuse box 5-pin connector. Wrap one urethane tape around the vehicle 5-pin connector.
 

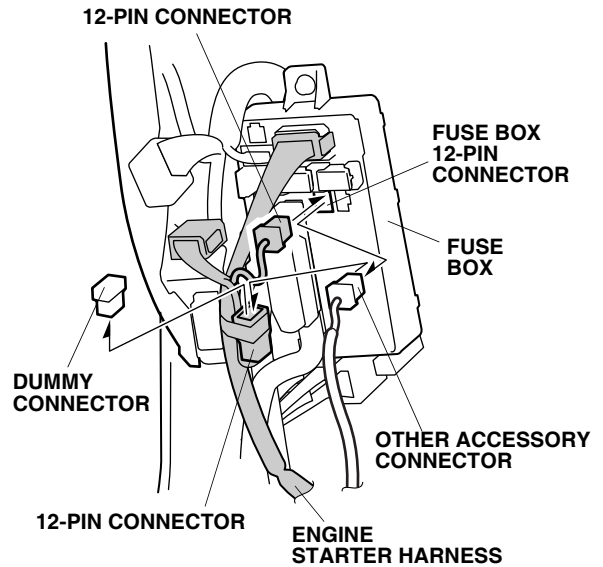
NOTE: Check that the engine starter harness 5-pin connector is securely connected. A loose connector can cause the engine to stall.



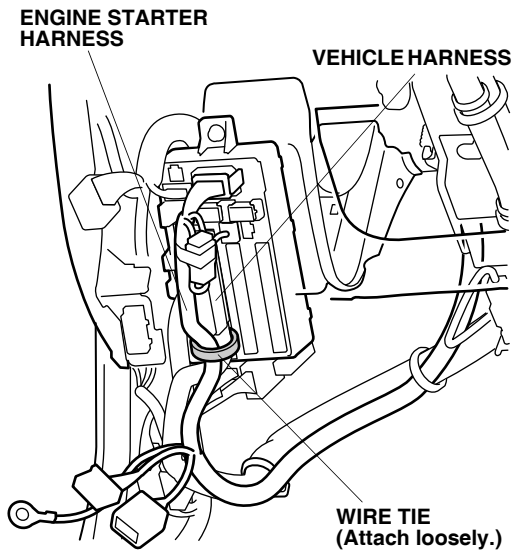
41. Plug the engine starter harness 12-pin connector into the fuse box 12-pin connector.



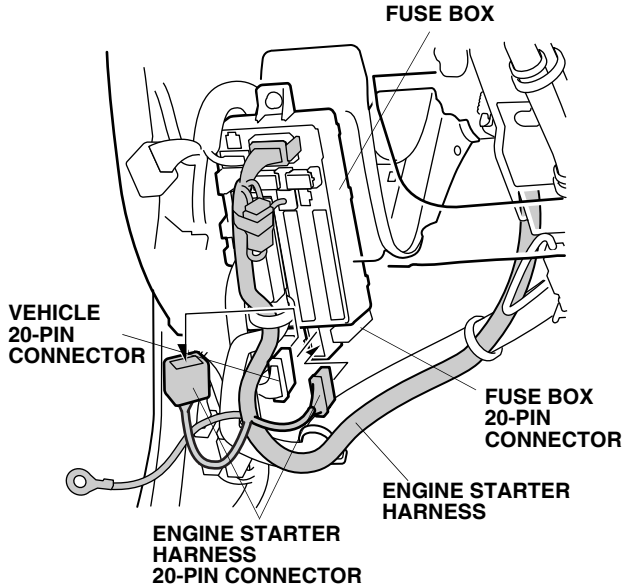
NOTE: If the 12-pin connector is already being used, unplug the 12-pin connector from the fuse box, and plug the engine starter harness 12-pin connector into the fuse box. Remove and discard the dummy connector from the engine starter harness and plug the other accessory 12-pin connector into the engine starter harness.



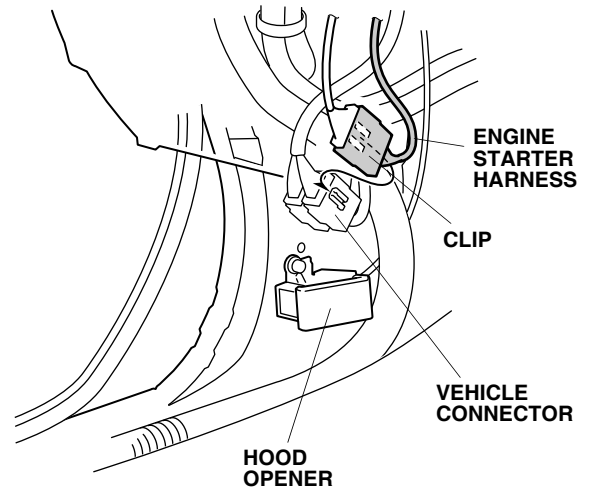
42. Loosely attach the engine starter harness to the vehicle harness with one wire tie.



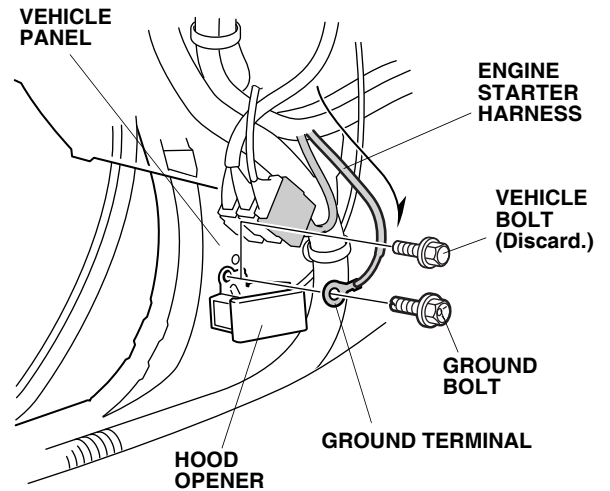
43. Disconnect the vehicle 20-pin connector from the fuse box, and plug it into the engine starter harness 20-pin connector. Plug the remaining engine starter harness connector into the fuse box 20-pin connector.



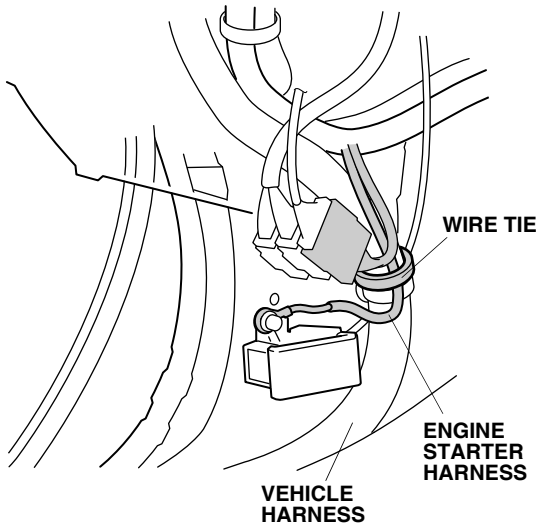
44. Attach the clip on the engine starter harness connector to the clip on the vehicle connector.



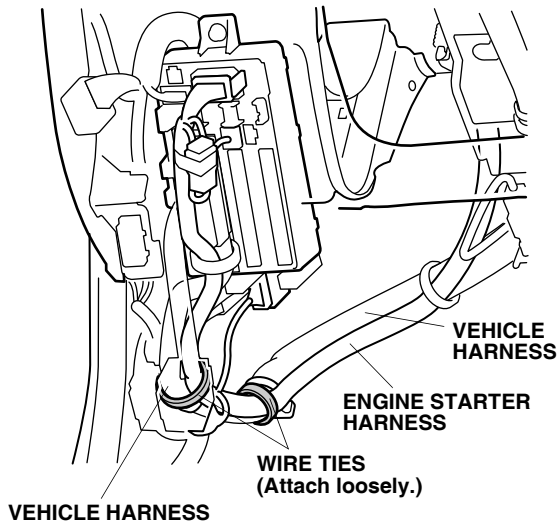
45. Remove and discard the hood opener upper bolt, and install the ground bolt supplied with the ground terminal attached.



46. Secure the engine starter harness to the vehicle harness with one wire tie.

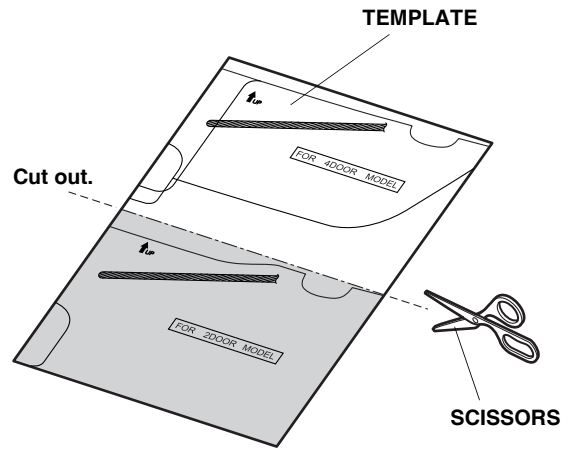


47. Loosely attach the engine starter harness to the vehicle harness with two wire ties.



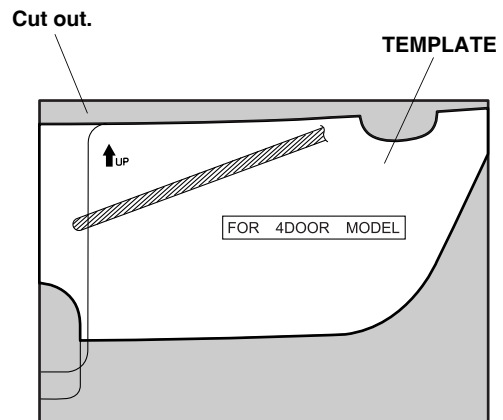
## Antenna Installation

48. Using scissors, separate the templates.

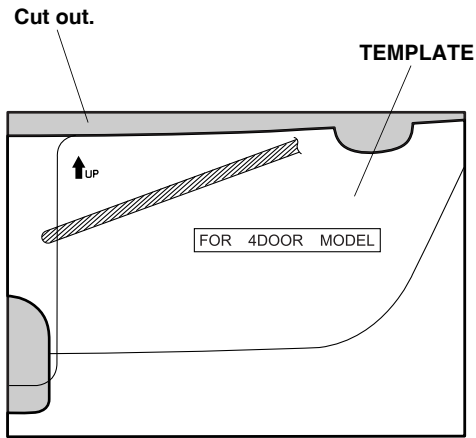


49. Determine the appropriate template for the vehicle you are working on. Using scissors, cut out the appropriate template.

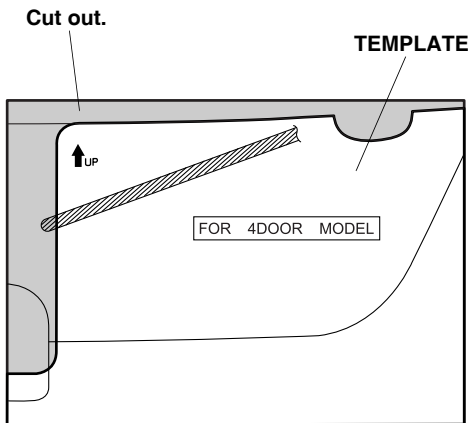
### Without Shaded Glass



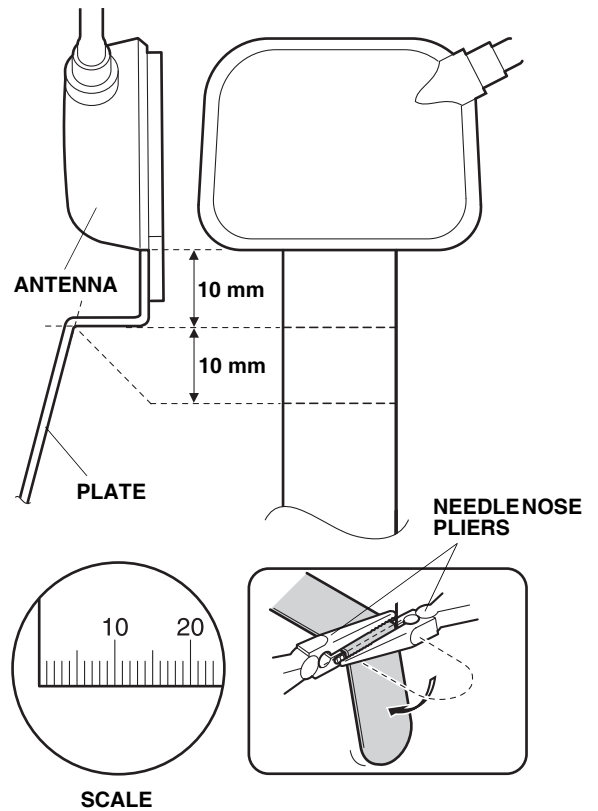
**With shaded glass, without Day/Night Mirror**



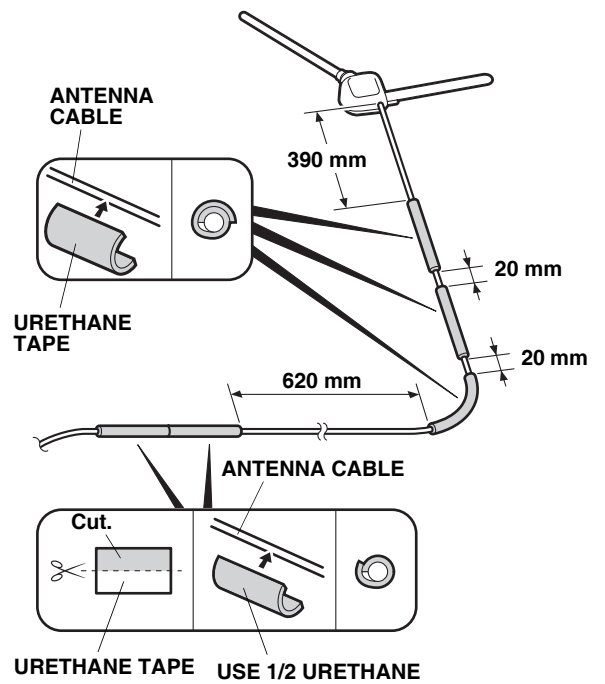
**With Automatic Day/Night Mirror**



50. Using two pairs of needle nose pliers, bend the antenna plate according to the dimensions shown.



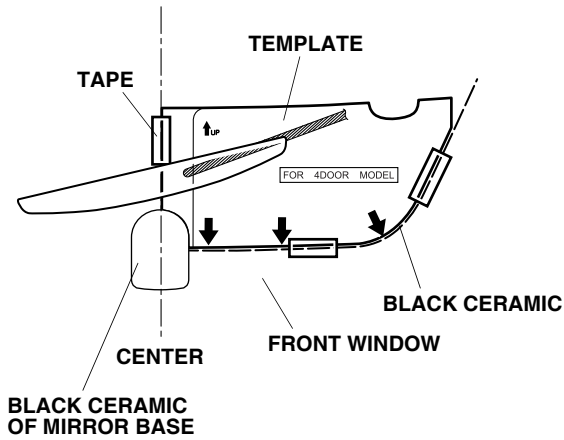
51. Starting near the antenna end of the cable, wrap three urethane tapes around the antenna cable at the measurements shown.



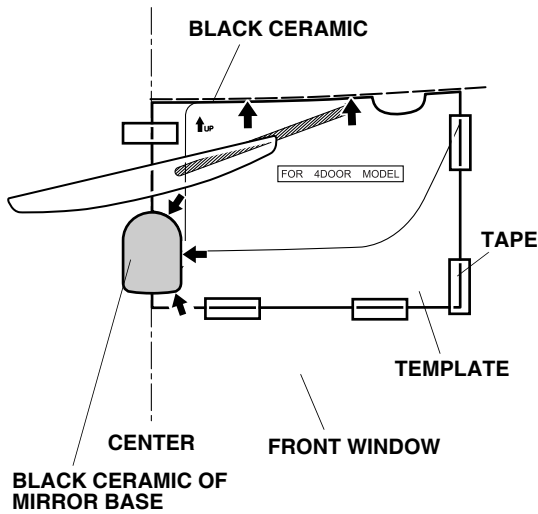


52. Using scissors, cut one urethane tape in half. Wrap the two halves of the urethane tape around the antenna cable at the measurements shown.
53. Attach the template to the front window.

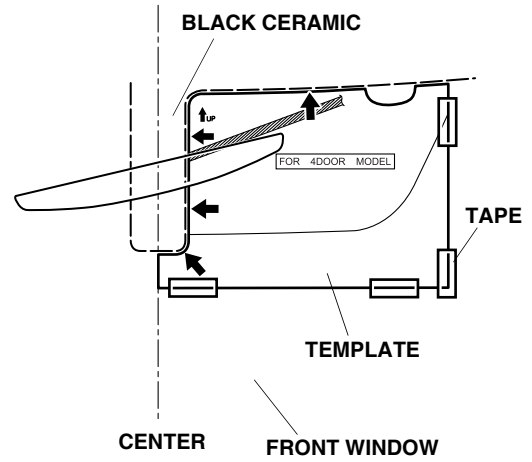
**Without Shaded Glass**



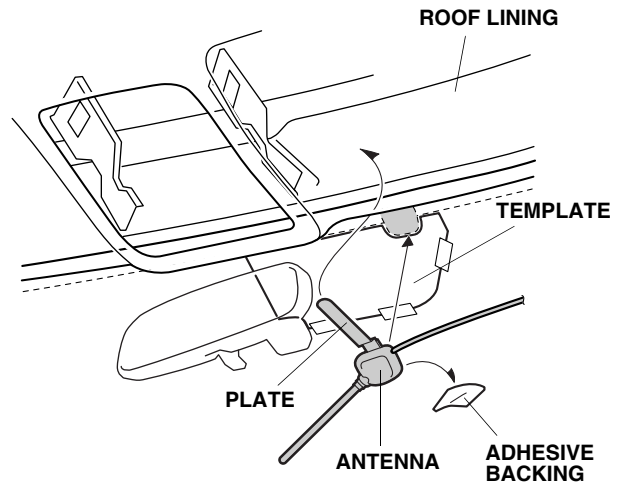
**With Shaded Glass, without Day/Night Mirror**



**With Automatic Day/Night Mirror**

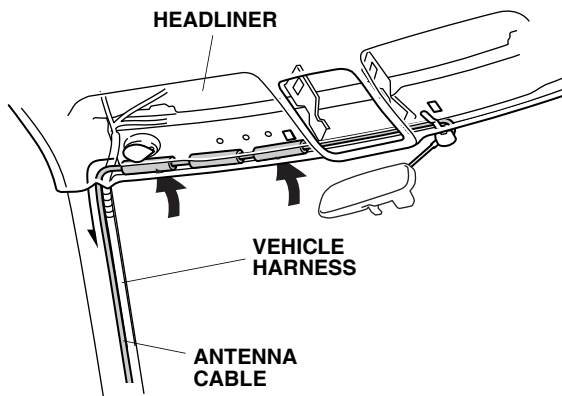


54. Using isopropyl alcohol on a shop towel, clean the windshield where the antenna will attach.

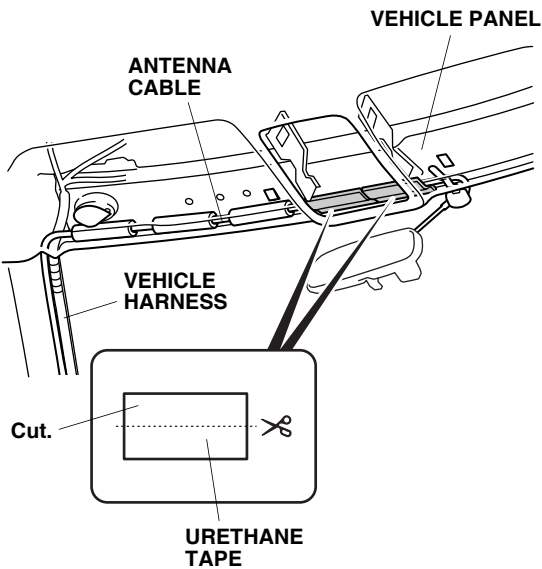




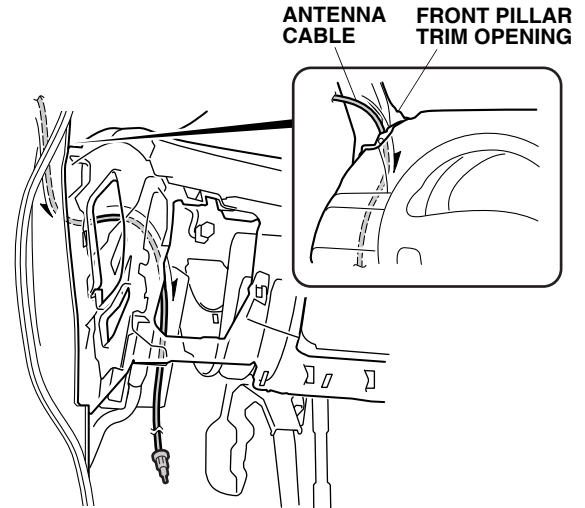
55. Remove the adhesive backing from the antenna. Insert the antenna plate under the roof lining, align it with the template, and attach the antenna to the front window.
56. Remove the template.
57. Gently pull down the headliner, and tuck the antenna cable under it.



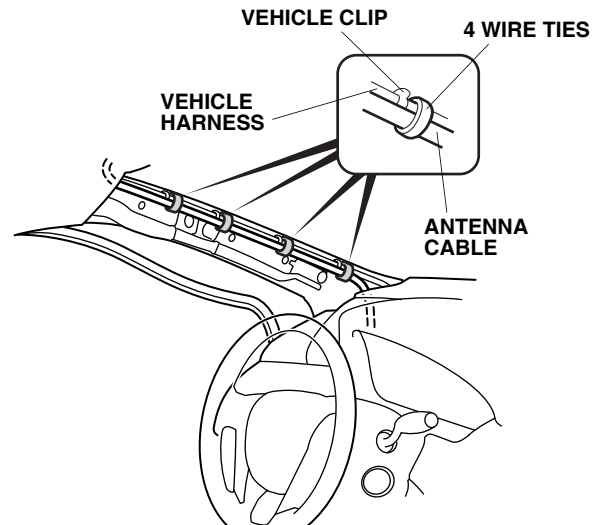
58. Using scissors, cut one urethane tape in half. Route the antenna cable towards the driver's side of the vehicle, and secure the antenna cable to the roof panel with the two halves of urethane tape.



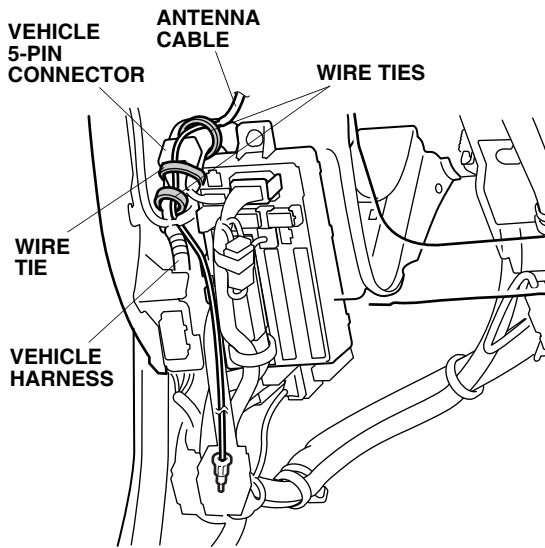
59. Pull away the weatherstrip, and route the antenna cable down and under the dashboard through the front pillar opening.



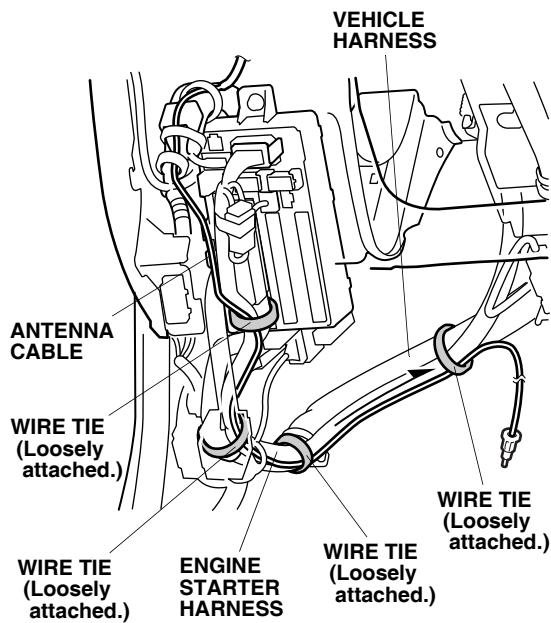
60. Secure the antenna cable to the vehicle harness with four wire ties.



61. Secure the vehicle 5-pin connector disconnected in step 40 to the vehicle harness with one wire tie.



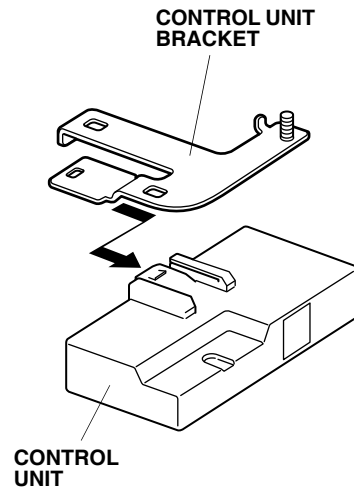
62. Secure the antenna cable to the vehicle harness with two wire ties.  
63. Route the antenna cable along the engine starter harness.



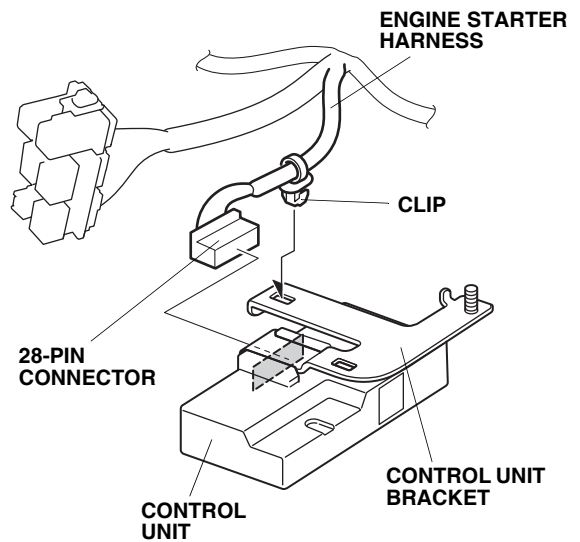
64. Secure the antenna cable to the engine starter harness with the four wire ties you loosely attached.

## Installing the Control Unit

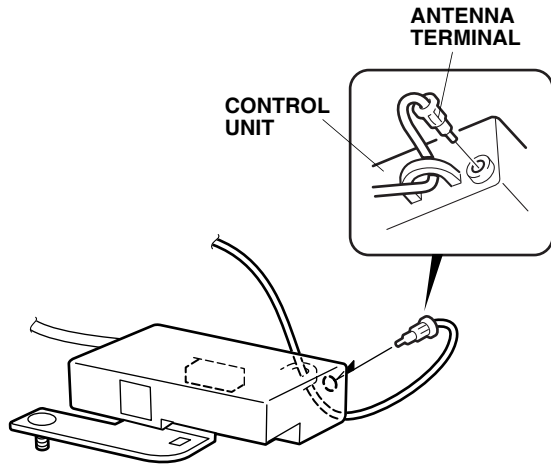
65. Install the control unit bracket to the control unit.



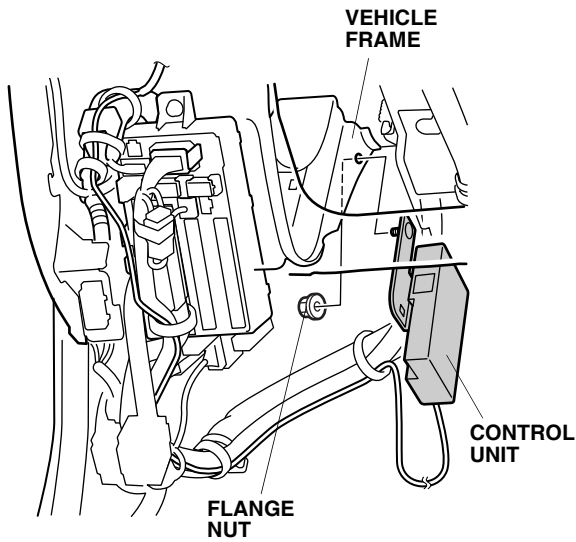
66. Plug the engine starter harness 28-pin connector into the control unit.



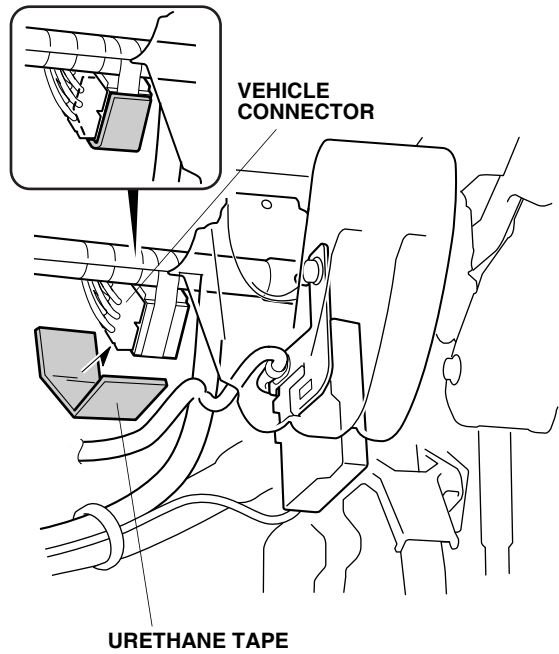
- 67. Install the clip on the engine starter harness to the control unit bracket.
- 68. Plug the antenna terminal into the control unit.



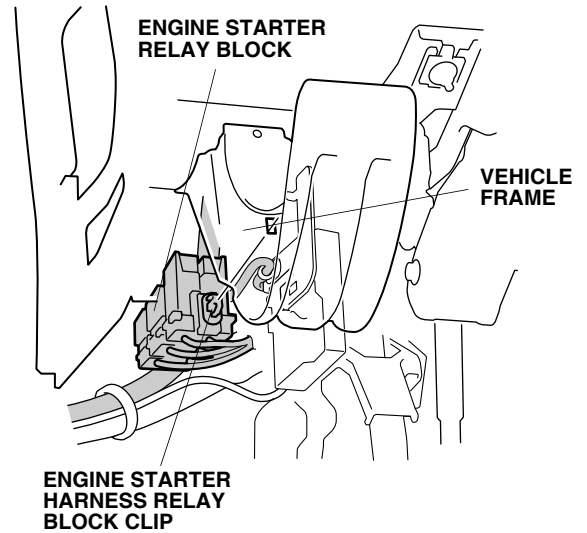
- 69. Secure the control unit to the vehicle frame using the flange nut.



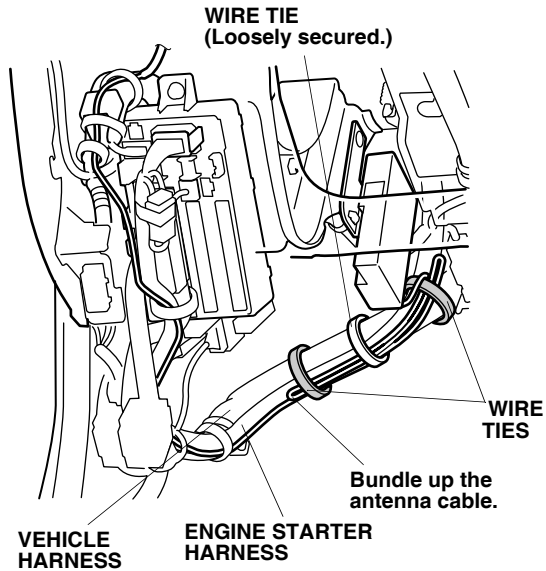
- 70. Wrap one urethane tape around the vehicle connector.



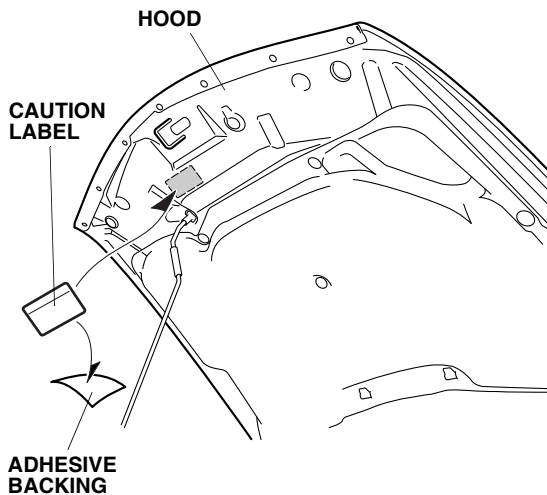
- 71. Attach the engine starter relay block clip to the vehicle frame.



72. Bundle up the excess antenna cable and secure it to the engine starter harness and the vehicle harness with the loosely installed wire tie.



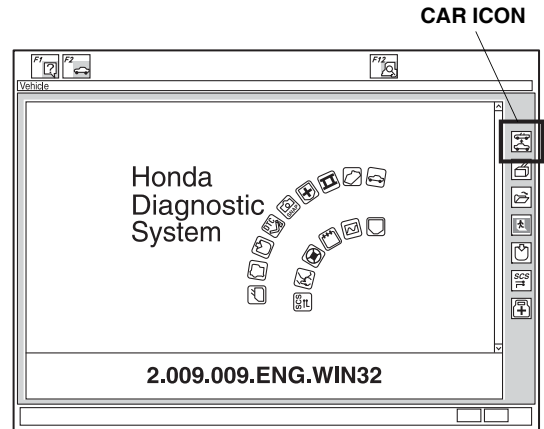
73. Secure the antenna cable to the engine starter harness with two additional wire ties.
74. Under the hood, locate the area where the caution label will attach. Using isopropyl on a shop towel, clean the hood where the caution label will attach.



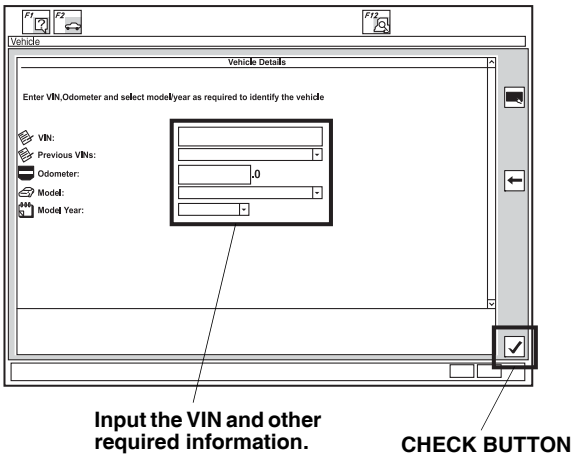
75. Attach the caution label to the hood in the area shown.
76. Reinstall all removed parts. Check that all clips and other fasteners are installed securely. Take care not to pinch the airbag with the clip during reinstallation of the front pillar trim. Do not push excessively on the front pillar trim.
77. Reconnect the negative cable to the battery.
78. Enter the customer's radio anti-theft code, and reset the radio station presets.
79. Reset the clock on models without navigation.
80. Do the **REMOTE ENGINE STARTER REGISTRATION** (page 21) and **FUNCTION CHECK** (page 24).

### REMOTE ENGINE STARTER REGISTRATION

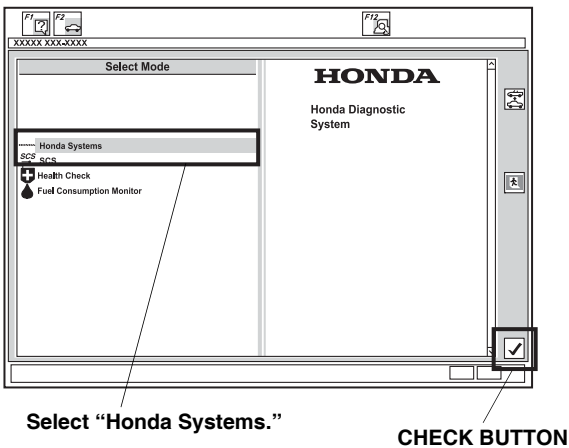
1. Acquire the PCM code from the Interactive Network.
2. Connect the HDS tester to the OBD II data link connector, then turn the ignition switch to the ON (II) position.
3. Start the HDS, and click on the car icon.



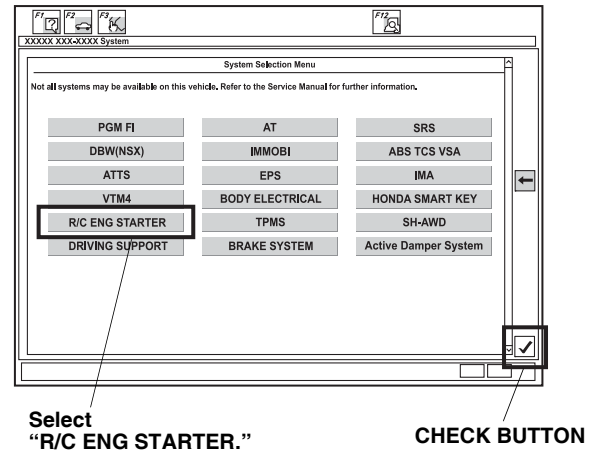
- Input the VIN and other required information into the HDS, then click on the check button.



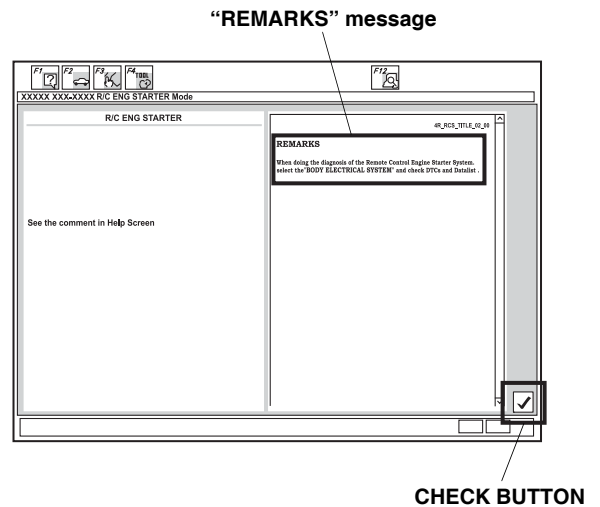
- Select **Honda Systems**, then click on the check button.



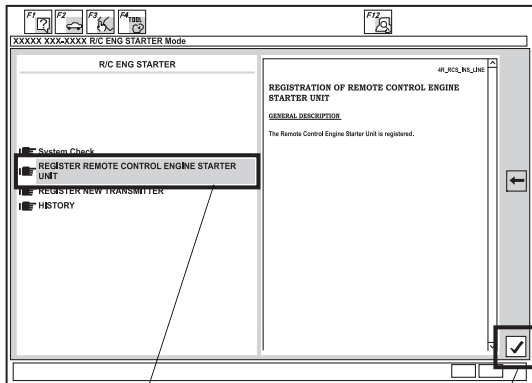
- Select **R/C ENG STARTER** and click on the check button.



- A **REMARKS** message will display. Click on the check button.



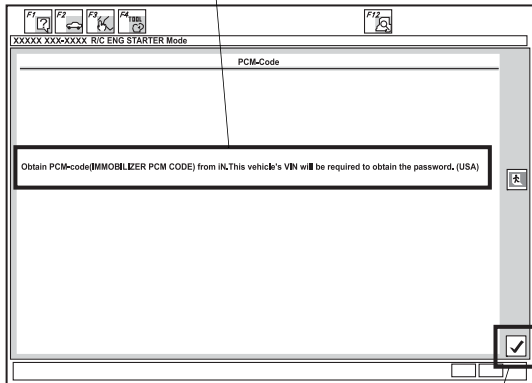
8. Select **REGISTER REMOTE CONTROL ENGINE STARTER UNIT**, then click on the check button.



Select "REGISTER REMOTE CONTROL ENGINE STARTER UNIT." CHECK BUTTON

9. The following message will display: **Obtain PCM-code (IMMOBILIZER PCM CODE) from iN. This vehicle's VIN will be required to obtain the password. (USA).** Click on the check button.

"Obtain PCM-code" message

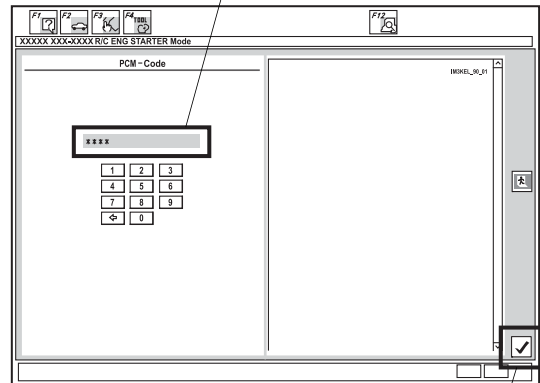


CHECK BUTTON

10. Input the PCM code, then click on the check button.

NOTE: To ensure security, the PCM code (password) is changed every day, so it is impossible to register the remote control engine starter if the dates of the PCM code acquisition and registration are different. The date of the HDS tester should also be the same

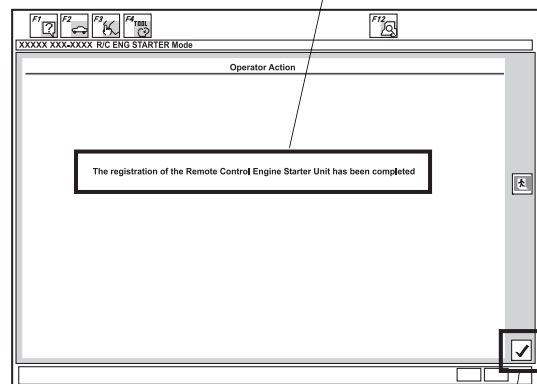
Input the PCM code.



CHECK BUTTON

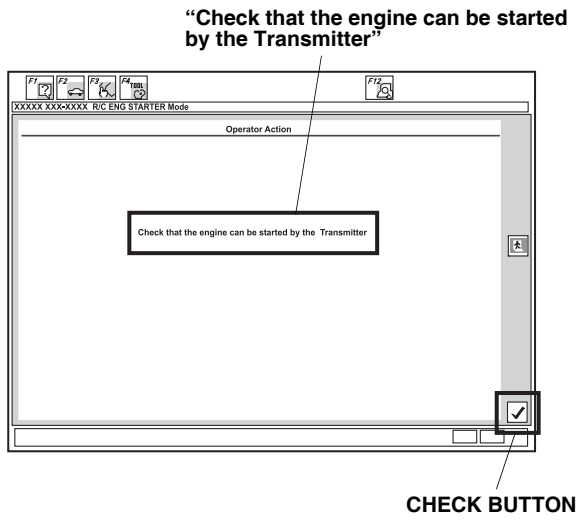
11. The following message will display: **The registration of the Remote Control Engine Starter Unit has been completed.** Click on the check button.

"The registration of the Remote Control Engine Starter Unit has been completed"



CHECK BUTTON

12. The following message will display: **Check that the engine can be started by the Transmitter**. Click on the check button.



13. Perform the function test on page 24, then disconnect the HDS.

## FUNCTION CHECK

### Operating Conditions

- The hood is closed.
- The shift lever is in park.
- The key is not in the ignition switch.
- All doors and tailgate are closed and locked.

### Inspection

1. Press the command button, and then, within 1 second, press the start button on the transmitter.  
The engine should start if all operating conditions are met.

Does the engine start?

Yes - Operation is normal.
No - <ul style="list-style-type: none"><li>• Make sure all operating conditions are met.</li><li>• Check the engine starter harness connections.</li><li>• Connect the HDS and check for an indicated failure. (Refer to the appropriate service manual for details.)</li></ul>

2. Press the command button on the transmitter and, within 1 second, press the stop button. The engine should stop.

Does the engine stop?

Yes - Operation is normal.
No - Check the engine starter harness connections.

3. After the engine has stopped, start the engine again, and check that the engine stops after each of the following conditions:

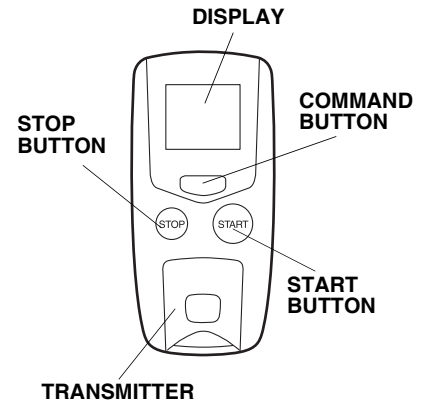
### NOTE:

- Each test must be completed within 30 seconds after engine starts.
- The ignition switch must be cycled after each test, or the driver's door must be opened and closed.
  - Move the shift lever out of the P position.
  - Unlock or open the doors or the trunk lid.
  - Open the hood.
  - Insert the key in the ignition switch.
  - Press the brake pedal.

Does the engine stop after each of these tests?

Yes - Operation is normal.
No - Check the engine starter harness connections.

4. Check that the power windows and the moonroof do not function when the engine is started with the transmitter.
5. Press the command button on the transmitter twice and check the vehicle condition on the display.
6. Check the operation of the transmitter when the vehicle is 100 m to 150 m (325 ft. to 490 ft.) away and when the vehicle is in direct sight.





### **How to Program an Additional Transmitter**

1. Connect the HDS to the data link connector.
2. Start the HDS and click on the car icon.
3. Input the vehicle's VIN and other required information.
4. Select **Honda Systems**.
5. Select **R/C Engine Starter**.
6. Select **REGISTER NEW TRANSMITTER**.
7. When "Ready to program the new transmitter" shows, select **ENTER**.
8. Press and release the Command button.
9. Press and release the Stop button.
10. Perform the function check on both transmitters.

NOTE: Only 2 remotes can be stored in the system's memory.