



# INSTALLATION INSTRUCTIONS

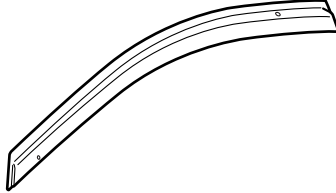
Accessory  
**DOOR VISORS**  
P/N 08R04-TA0-101

Application  
**2011 ACCORD 4-DOOR**

Publications No.  
**All 44023**  
Issue Date  
**AUG 2010**

## PARTS LIST

Left front door visor



Right front door visor



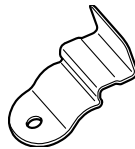
Left rear door visor



Right rear door visor



8 Brackets



8 Clips



## TOOLS AND SUPPLIES REQUIRED

Isopropyl alcohol

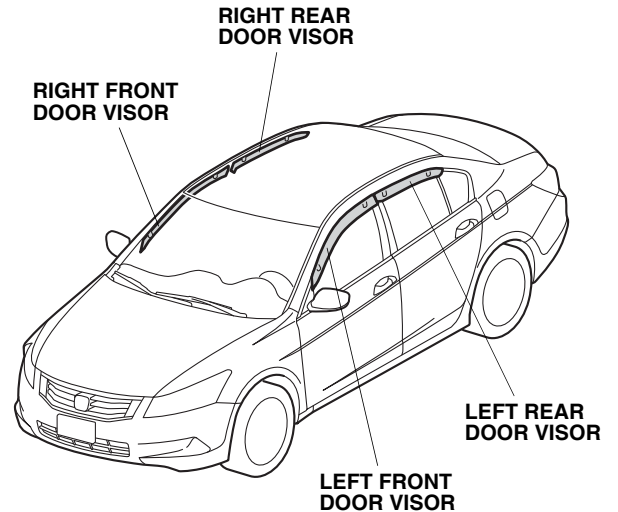
Shop towel

Masking tape

Scale

Dryer

## Illustration of the Door Visors Installed on the Vehicle



## INSTALLATION

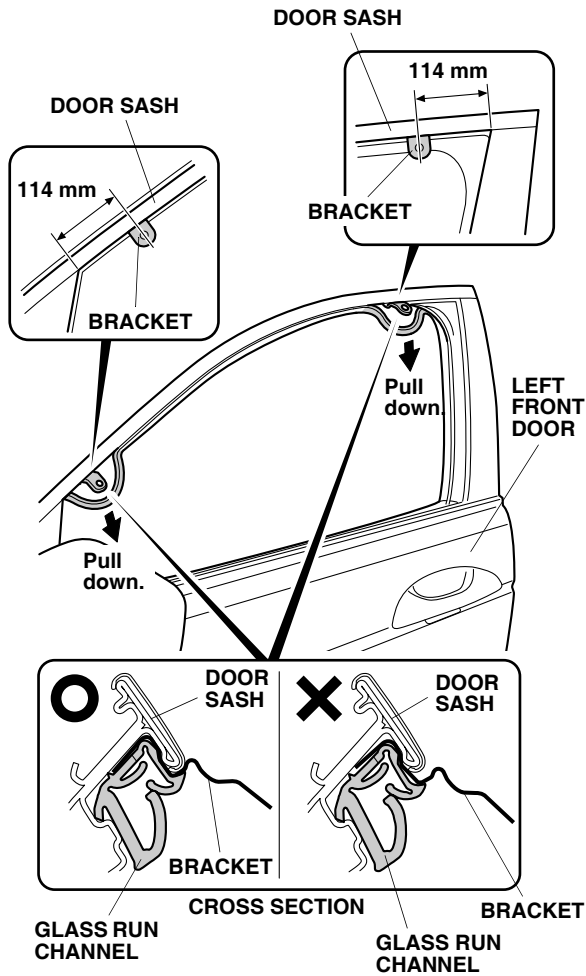
**Customer Information:** The information in this installation instruction is intended for use only by skilled technicians who have the proper tools, equipment, and training to correctly and safely add equipment to your vehicle. These procedures should not be attempted by “do-it-yourselfers.”

### NOTE:

- These instructions show the left door visors being installed. The same procedure applies to installing the right door visors.
- Do not damage the body paint finish and glass run channels when installing the door visors.
- Handle the door visors with care. They are not designed to absorb shock or impact.
- This door visor kit should be installed only if the ambient air temperature is 15°C (60°F) or above. Heat the door visor and bonding surfaces with a hair dryer set on LOW if the ambient air temperatures is below 15°C (60°F).
- To allow the adhesive to cure, do not wash the vehicle for 24 hours. Please advise your customer.

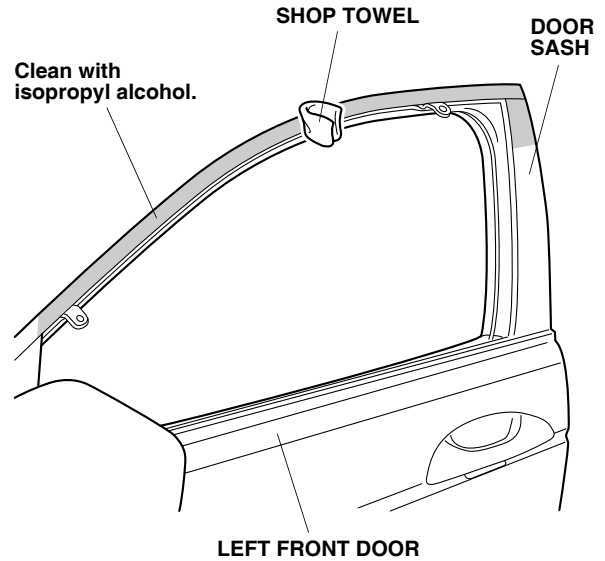
## Installing the Front Door Visor

1. Fully lower the left front door glass.

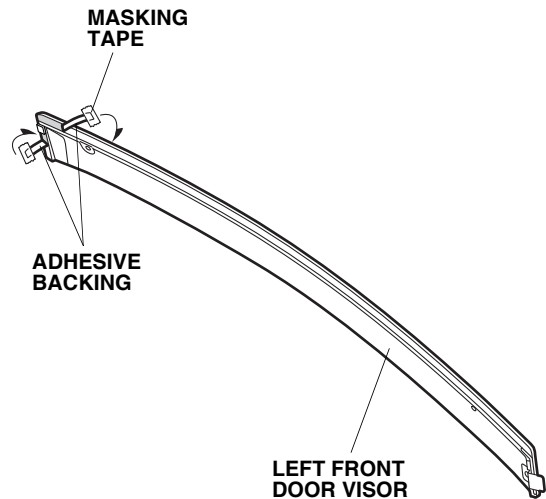


2. Pull down the glass run channel in the areas shown.
3. Install two brackets to the door sash at the measurements shown.
4. Reinstall the glass run channel and secure the two brackets. Make sure the brackets are installed on the door sash as shown, and that the glass run channel is installed properly.

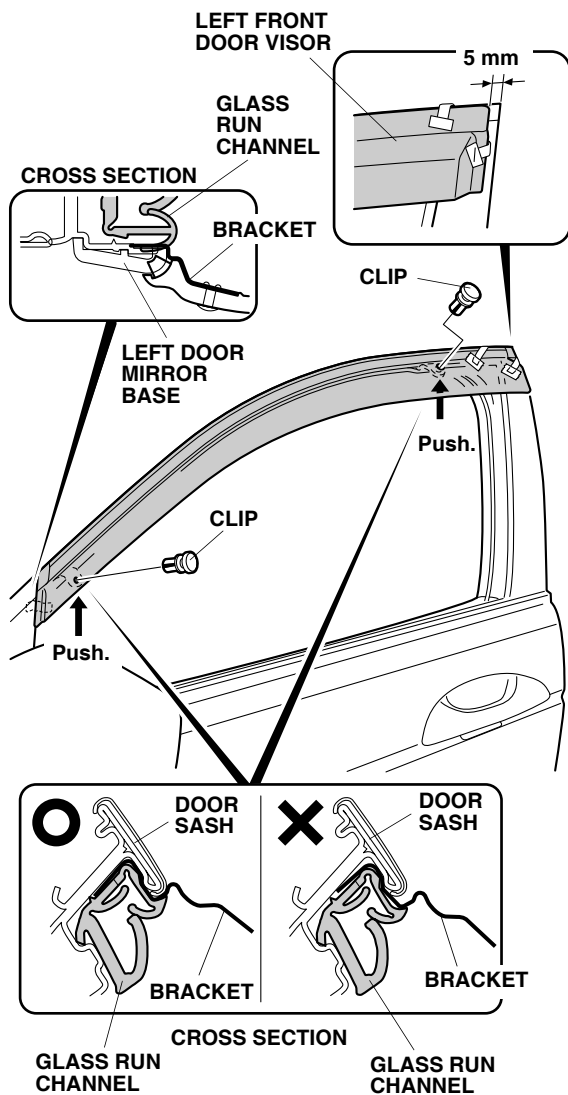
5. Using isopropyl alcohol on a shop towel, thoroughly clean the area where the left front door visor will attach.



6. Attach pieces of masking tape to the ends of the adhesive backings as shown. Peel back the adhesive backings partway and temporarily attach them to the outer surface of the left front door visor.

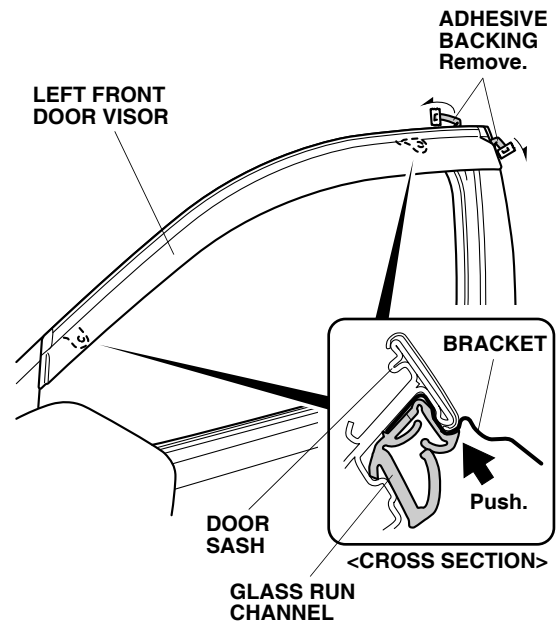


- Align the holes in the two brackets to the holes in the left front door visor.



- Secure the left front door visor to the two brackets with two clips. Push up on the brackets while installing the clips.
- Adjust the position of the left front door visor as shown.

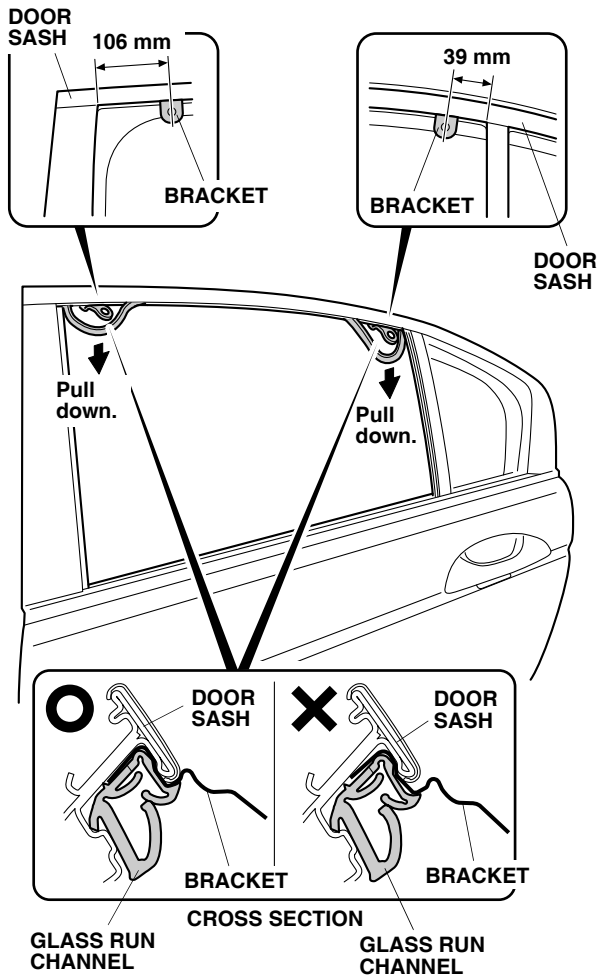
- While applying light pressure against the left front door visor, carefully remove the adhesive backings. Make sure to push up on the brackets while removing the adhesive backings.



- Using the palm of your hand, firmly press the left front door visor against the door sash.

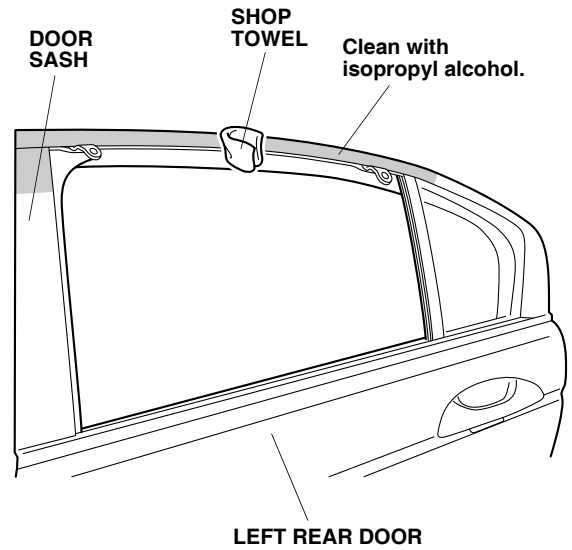
## Installing the Rear Door Visor

12. Fully lower the left rear door glass.

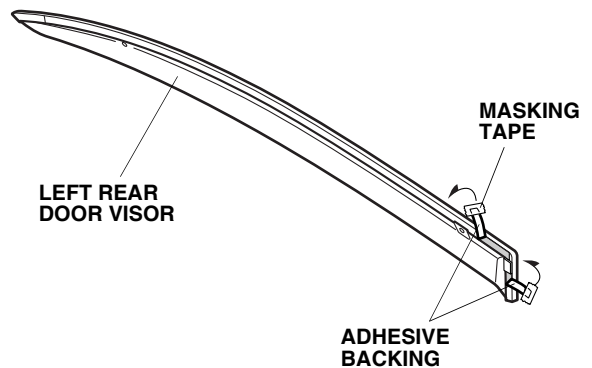


13. Pull down the glass run channel in the areas shown.
14. Install two brackets to the door sash as shown.
15. Reinstall the glass run channel and secure the two brackets. Make sure the brackets are installed on the door sash as shown, and that the glass run channel is installed properly.

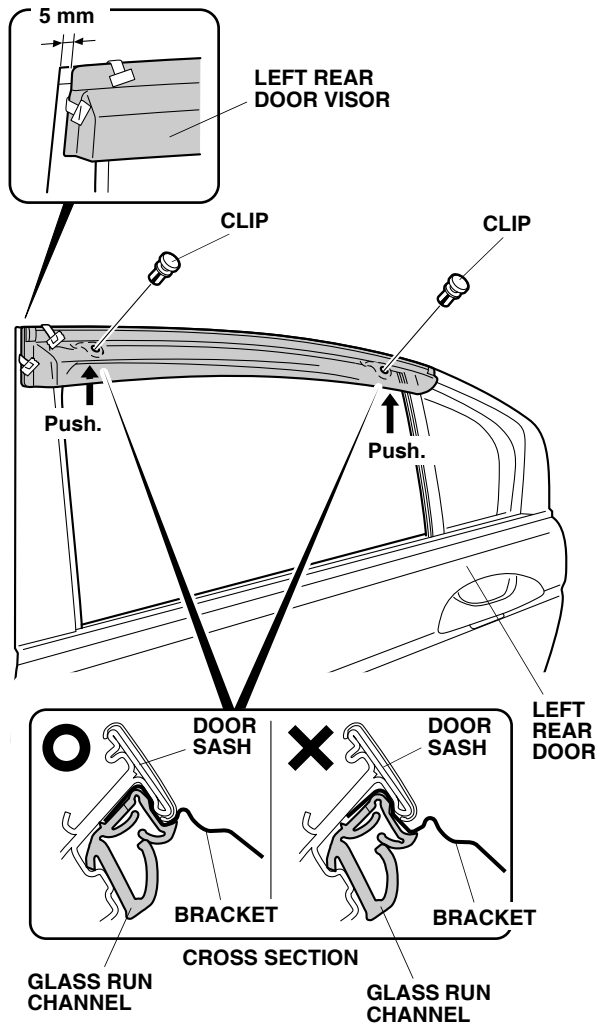
16. Using isopropyl alcohol on a shop towel, thoroughly clean the area where the left rear door visor will attach.



17. Attach pieces of masking tape to the ends of the adhesive backings as shown. Peel back the adhesive backings partway and temporarily attach them to the outer surface of the left rear door visor.

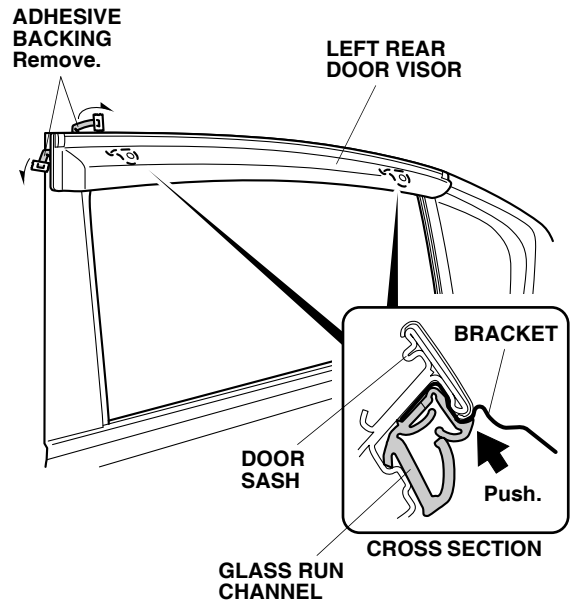


- Align the holes in the two brackets to the holes in the left rear door visor.



- Secure the left rear door visor to the two brackets with two clips. Push up on the brackets while installing the clips.
- Adjust the position of the left rear door visor as shown.

- While applying light pressure against the left rear door visor, carefully remove the adhesive backings. Make sure to push up on the brackets while removing the adhesive backings.



- Using the palm of your hand, firmly press the left rear door visor against the door sash.
- Repeat steps 1 through 22 on the right side of the vehicle.

## **WINDOW OPERATION**

1. Start the engine.
2. Using the power window switch, fully close the windows, and check that there are no problems such as a pinched glass run channel, etc.
3. Using the power window switch, operate each window from half-open to fully closed 10 times to allow the glass run channel to seat. (Do this while checking for any problems such as a pinched glass run channel, etc.)
4. Referring to the service manual for the vehicle, reset the power windows. (If the automatic closing/opening does not function after the reset procedure, repeat the procedure.)
5. Referring to the service manual for the vehicle, do the power window "learning" procedure. (If the automatic closing/opening does not function after the learning procedure, repeat the procedure.)

NOTE: The procedures in steps 4 & 5 should be done to all power windows that have the automatic closing/opening function, allowing for proper functioning of the anti-pinching function.

## **USE AND CARE**

- When the door visor is dirty, clean it with a soft cloth dampened with water.
- When the door visor is very dirty, clean the door visor with a neutral detergent and water. Do not use any volatile solvent (e.g. thinner, benzene, alcohol, etc.) or a cleaner containing abrasive material.