



# INSTALLATION INSTRUCTIONS

Accessory  
**FULL NOSE MASK**  
P/N 08P35-TM8-100

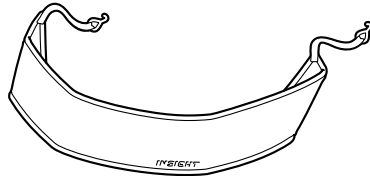
Application  
**2010 INSIGHT**

Publications No.  
**All 40882**  
Issue Date  
**MARCH 2009**

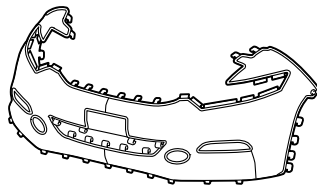
Put this information in the glove box with the vehicle owner's manual.

## PARTS LIST

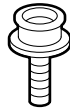
Mask  
(hood section)



Mask  
(bumper section)



2 Snap-screws



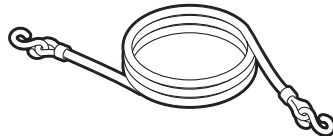
2 Washers



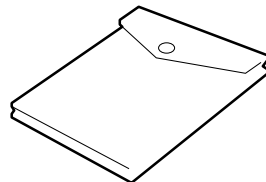
2 Fenderwell nuts



Elastic cord



Storage bag



## TOOLS AND SUPPLIES REQUIRED

Stubby Phillips screwdriver

Utility knife

## INSTALLATION

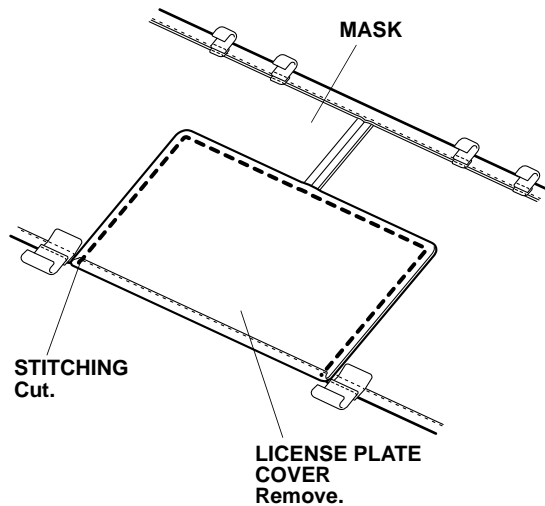
### NOTE:

- Make sure the vehicle and the nose mask are clean and completely dry before installation. If the moisture under the mask is allowed to dry, it may cloud the paint. If the mask gets wet, remove it and allow it to air-dry completely.
- Make sure any repainted surfaces are cured.
- Make sure the hood and nose of the vehicle have been waxed with a high-quality paste wax.
- Make sure to install the nose mask securely. If the nose mask starts to flap or comes loose while driving, safely pull off the highway, stop the vehicle, and secure or remove the mask.

## Displaying the License Plate

If your state law requires the display of both license plates, cut out the piece of the bumper section that covers the front license plate:

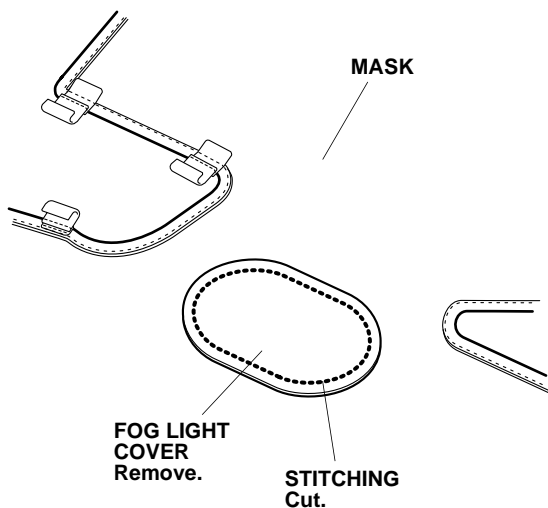
- Face the inside of the mask toward you.
- Carefully cut out the red overcast stitching with a utility knife. Remove the stitching and the license plate cover.



## With Fog Lights

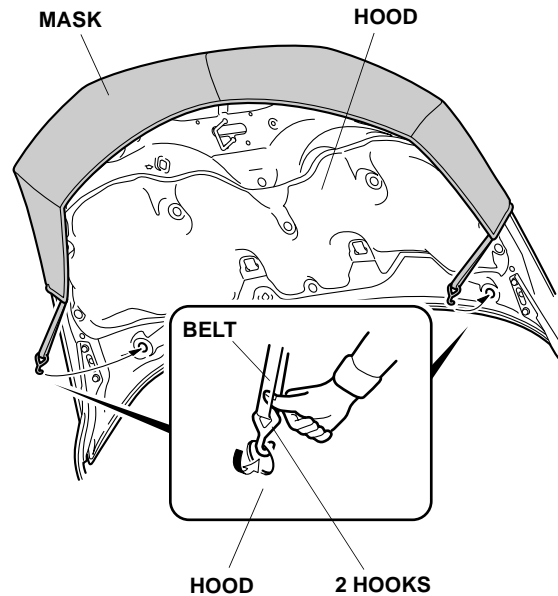
If the vehicle is equipped with fog lights, cut out the piece of the bumper section that covers the fog lights:

- Face the inside of the mask toward you.
- Carefully cut out the red overcast stitching with a utility knife. Remove the stitching and the fog light cover.
- Repeat the procedure on the other side.



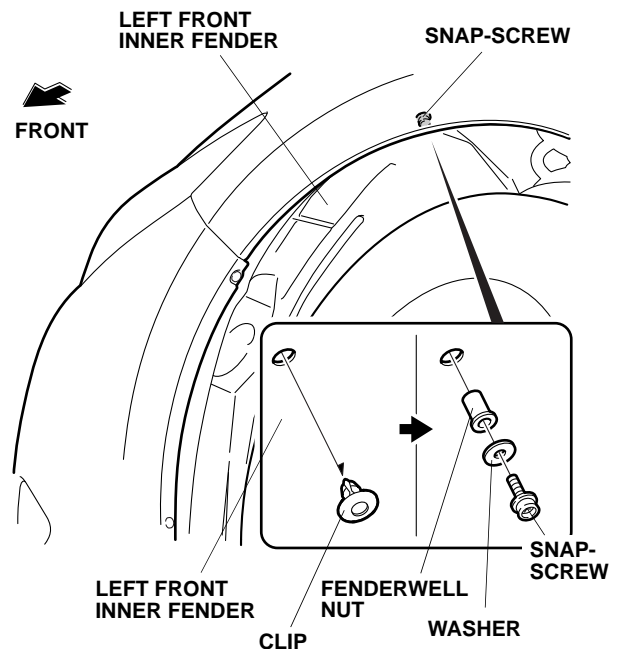
## Installing the Hood Section

1. Open the hood. Fit the corners of the mask around the hood. Adjust the mask so that it fits smoothly over the edges. Attach the two hooks to the hood as shown. Remove / install the hooks by inserting your finger into the belt of each hook.



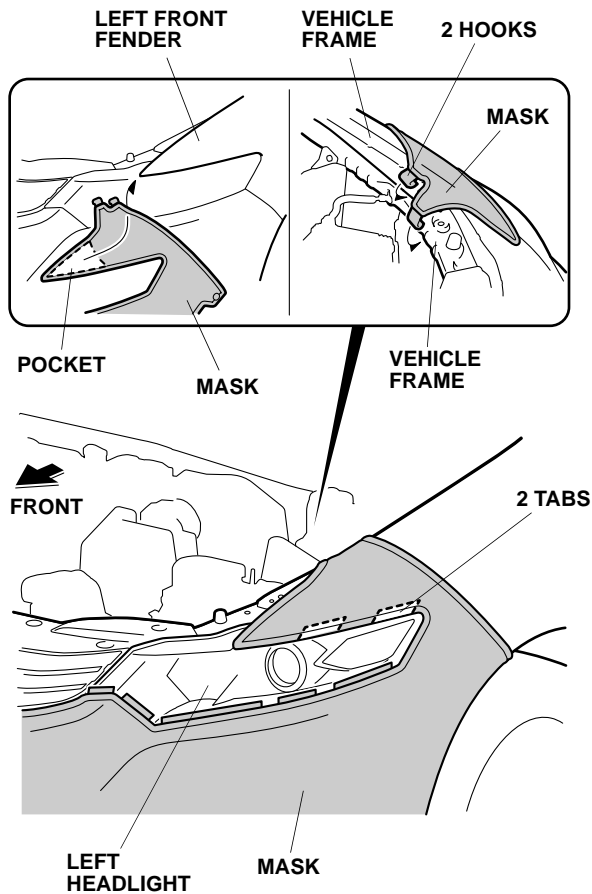
## Installing the Bumper Section

2. Turn the steering wheel all the way clockwise.



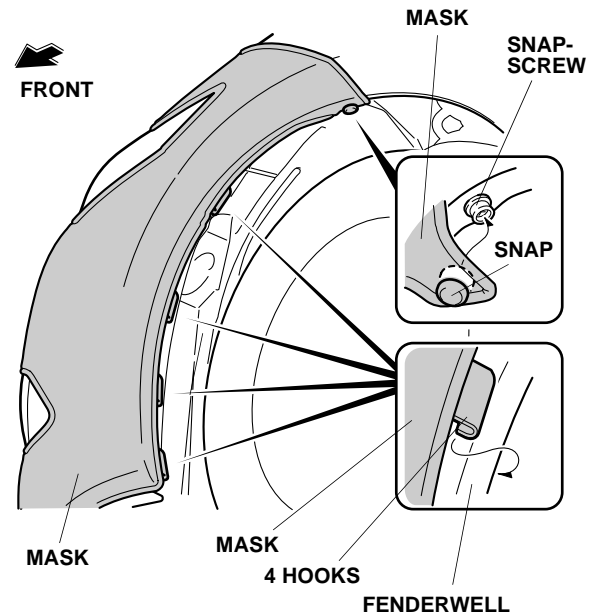
3. Remove one clip from the left front inner fender.
4. Attach one fenderwell nut into the left front inner fender.
5. Place a washer onto the snap-screw and install one snap-screw into the fenderwell nut.

- Slip the pocket of the mask onto the front corner of the left front fender.

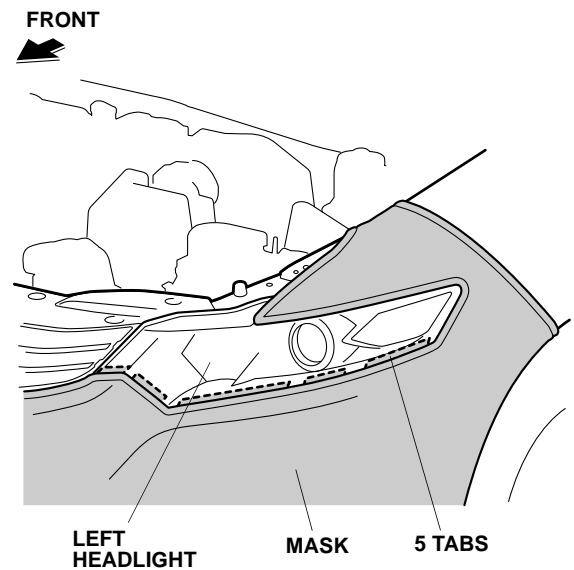


- Secure the two hooks to the vehicle frame.
- Insert the two tabs above the left headlight.

- Pull the mask back toward the fenderwell, smooth out any wrinkles, and snap the mask onto the snap-screw.

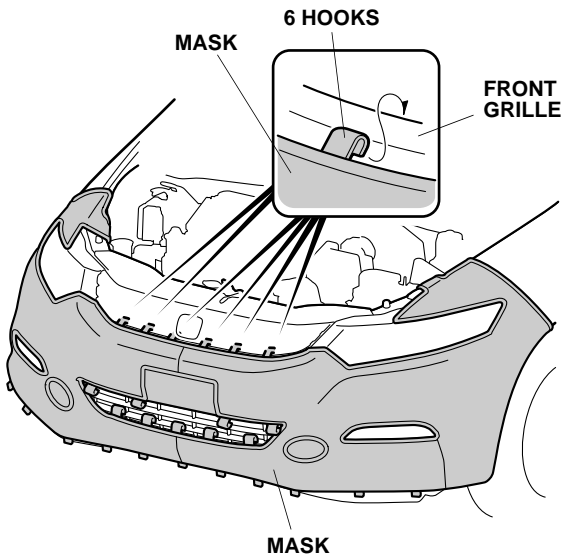


- Secure the four hooks to the fenderwell.
- Insert the five tabs below the left headlight.

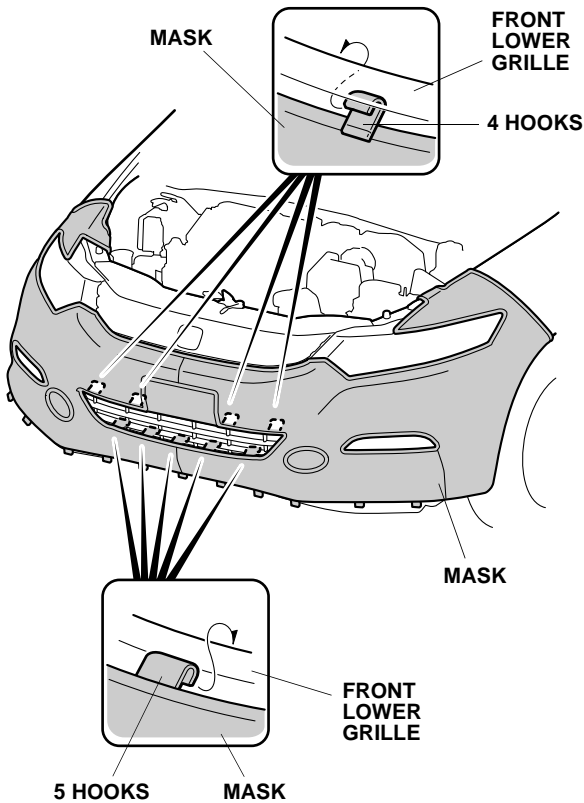


- Turn the steering wheel all the way counterclockwise, then repeat steps 3 through 11 on the right side of the vehicle.

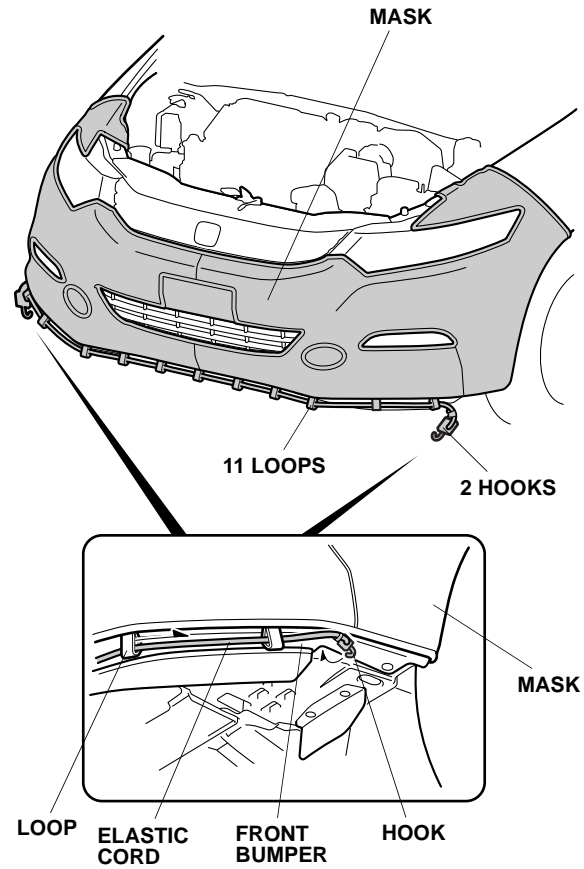
13. Secure the six hooks to the front grille.



14. Secure the nine hooks to the front lower grille.



15. Route the elastic cord through the 11 loops on the bottom of the mask. Attach a hook to the hole in the bumper as shown. Attach the other hook to the hole in the bumper on the other side.



### CLEANING THE NOSE MASK

Use a sponge or cloth with a solution of mild liquid dishwashing soap and water to clean the vinyl and the flannel backing. Rinse the mask completely with a clean water, and hang it to dry out in direct sunlight. Make sure the mask is completely dry before you reinstall it.