



# INSTALLATION INSTRUCTIONS

<b>Accessory</b> DOOR EDGE GUARDS P/N 08P20-SZA-1X0	<b>Application</b> 2009 PILOT	<b>Publications No.</b> All 39425
		<b>Issue Date</b> MAY 2008

## PARTS LIST

Right front upper door edge guard



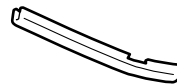
Left front upper door edge guard



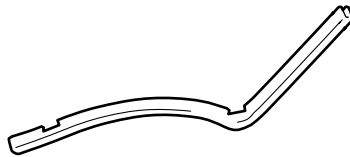
Right front lower door edge guard



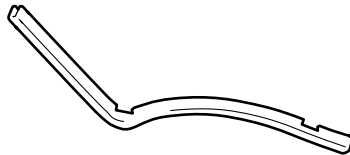
Left front lower door edge guard



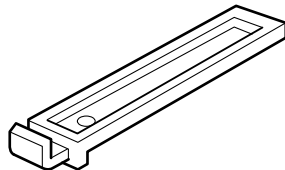
Right rear door edge guard



Left rear door edge guard



Seam sealant cutting tool



## TOOL AND SUPPLIES REQUIRED

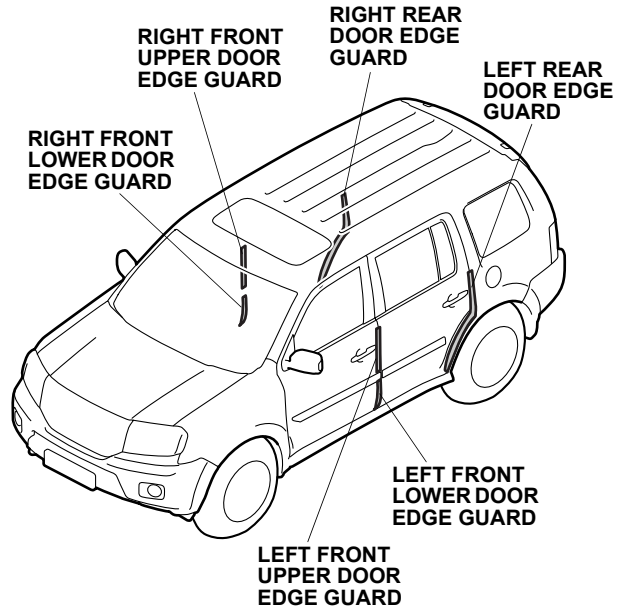
Rubber mallet

Felt-tip pen

Touch-up paint

Scale

## Illustration of the Door Edge Guards Installed on the Vehicle



## INSTALLATION

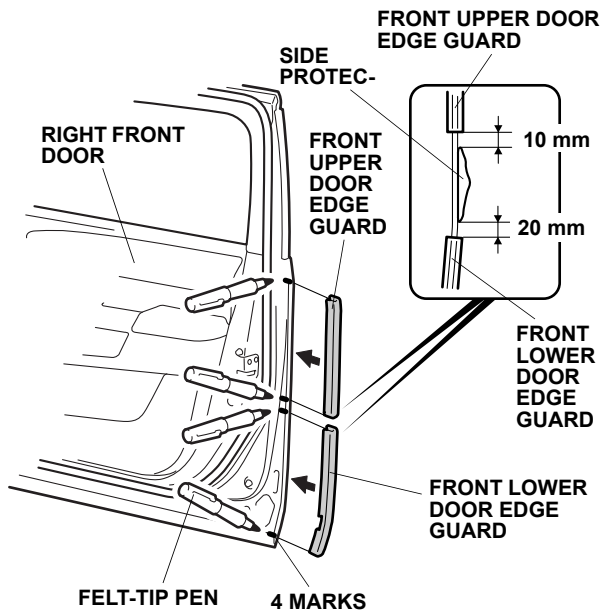
**Customer Information:** The information in this installation instruction is intended for use only by skilled technicians who have the proper tools, equipment, and training to correctly and safely add equipment to your vehicle. These procedures should not be attempted by "do-it-yourselfers."

### NOTE:

- These instructions show the right door edge guards being installed. The same procedure applies to installing the left door edge guards.
- Wax the areas to be covered with a high quality paste wax.

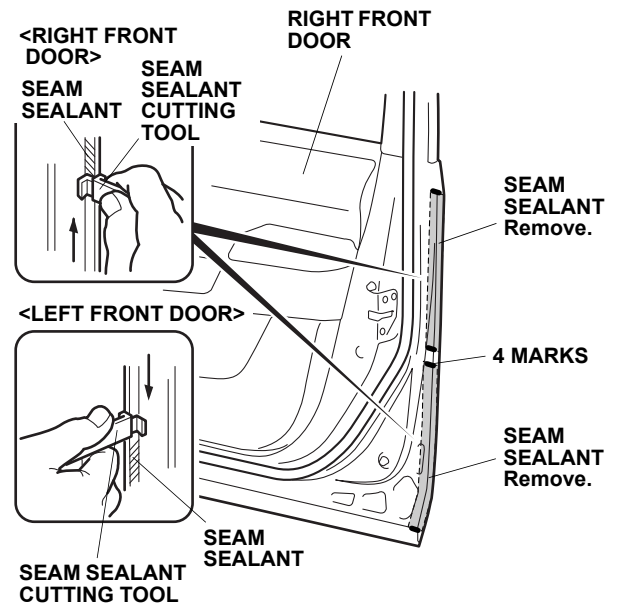
## Installing the Front Door Edge Guards

1. Identify each door edge guard by holding it up to the door and matching its contour with the door edge.

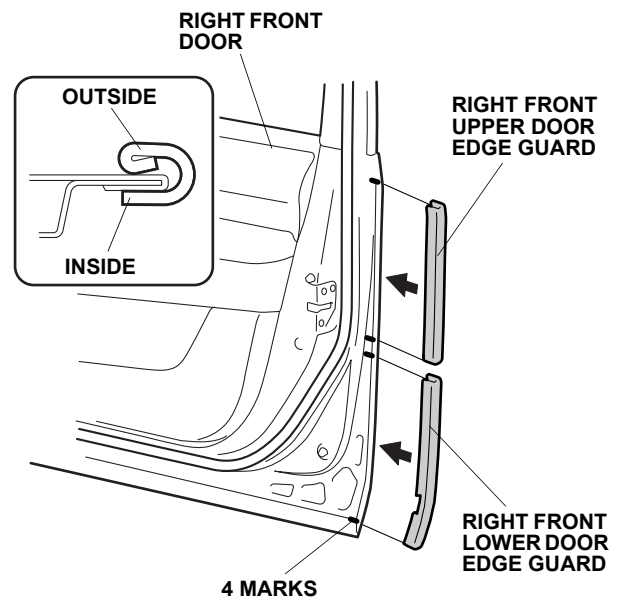


2. Measure and position the right front upper door edge guard and right front lower door edge guard on the right front door as shown.
3. Mark the sealant at the top and bottom ending point of each edge guard.
4. Remove the door edge guards.

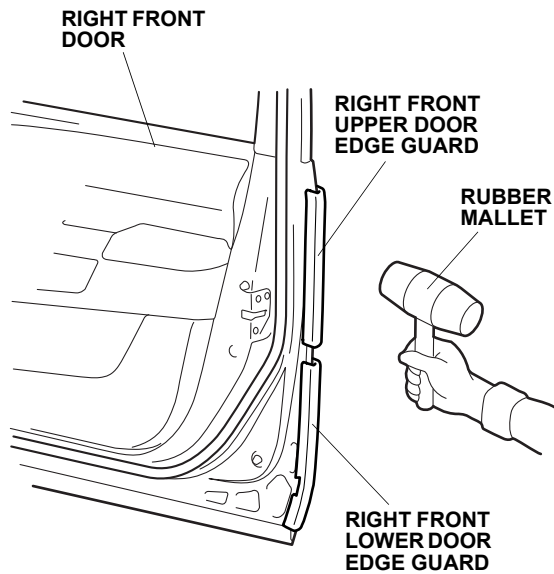
5. Position the cutting edge of the seam sealant cutting tool against the door edge and trim the seam sealant from mark to mark. The cutting tool only cuts in one direction. Move it upward on the right side of the vehicle and downward on the left side of the vehicle.



6. Apply touch-up paint to the cut seam sealant area and let it dry.
7. Position the right front door edge guards on the right front door edge, aligning them to the marks made in step 3.



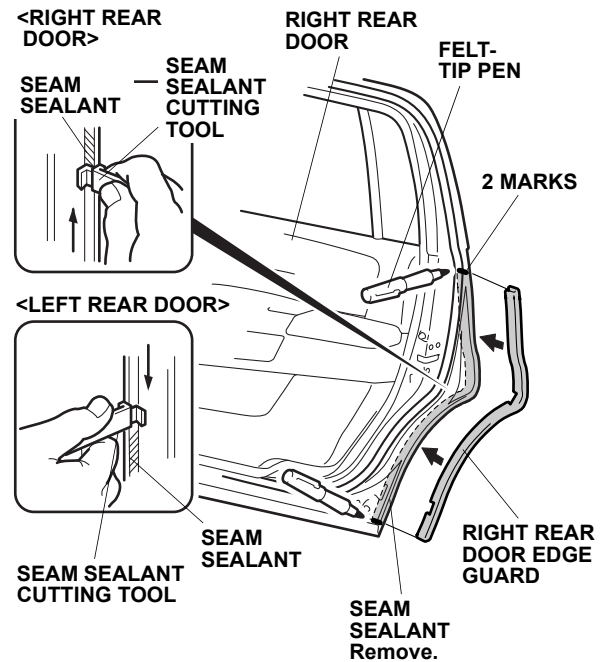
- Tap the right front door edge guards into position with a series of light taps using a rubber mallet. Make sure their positions are correct. Once in place, do not remove, reposition, or reinstall the right front door edge guards or they will not hold securely.



- Repeat steps 2 through 8 to install the left front door edge guards.

### Installing the Rear Door Edge Guards

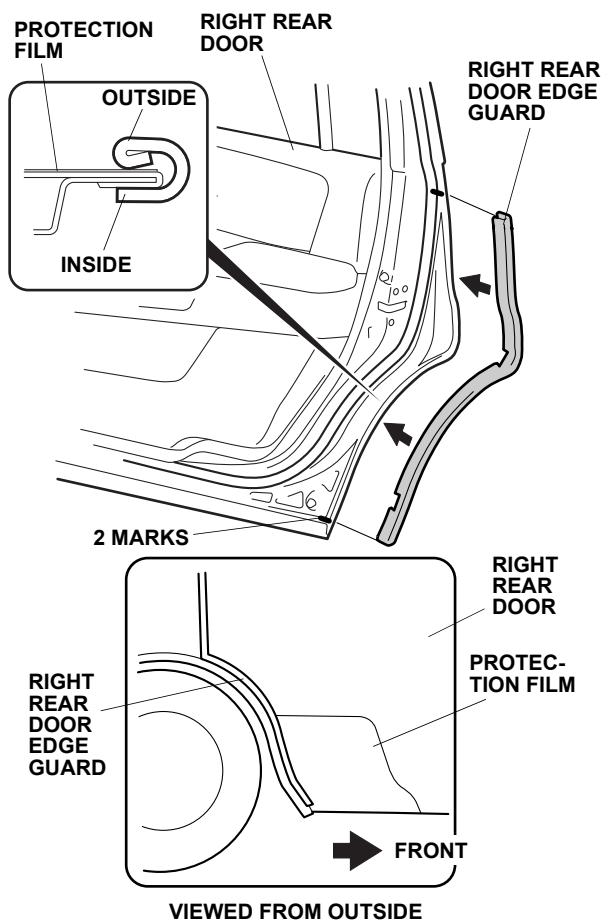
- Position the right rear door edge guard on the right rear door while aligning it with the contour of the right rear door. Mark the sealant at the top and bottom ending point of the edge guard.



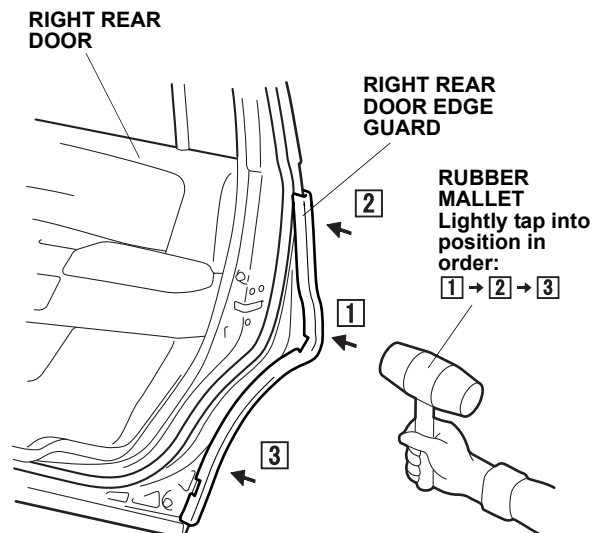
- Remove the door edge guard.
- Position the cutting edge of the seam sealant cutting tool against the door edge, and trim the seam sealant from mark to mark. The cutting tool only cuts in one direction. Move it upward on the right side of the vehicle and downward on the left side of the vehicle.
- Apply touch-up paint to the cut seam sealant area and let it dry.

- Position the right rear door edge guard on the right rear door edge over the protection film on the vehicle and align it to the mark made in step 10.

NOTE: Install the door edge guard over the protection film.



- Tap the right rear door edge guard into position with a series of light taps using a rubber mallet. Make sure the position is correct. Once in place, do not remove, reposition, or reinstall the right rear door edge guard or it will not hold securely.



- Repeat steps 10 through 15 to install the left rear door edge guard.