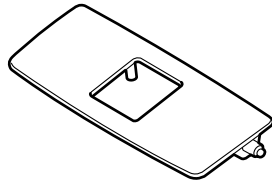


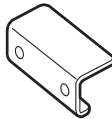
## PARTS LIST

HFL Attachment Kit  
P/N 08E02-SWA-130 (Ivory)  
P/N 08E02-SWA-170 (Gray)  
P/N 08E02-SWA-180 (Quartz)

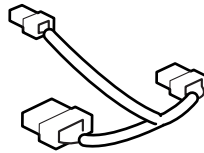
HFL trim



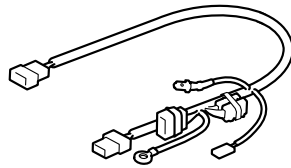
HFL bracket



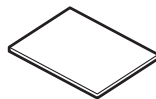
HFL harness



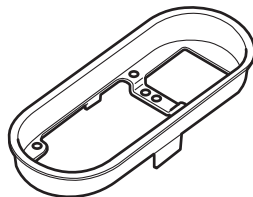
HFL subharness



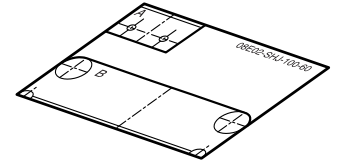
2 Double-sided tapes



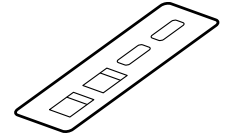
HFL retainer



## Template



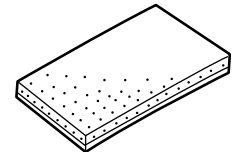
Fuse label



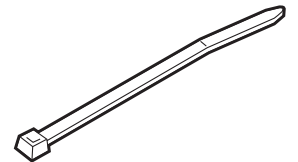
5A Fuse



4 EPT sealers



5 Wire ties



4 Screws, 3 x 10 mm



2 Washer screws, 4 x 12 mm



Bushing



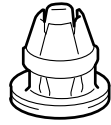
Screw



Rubber bumper

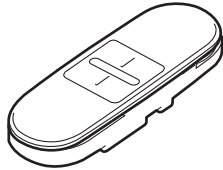


Clip

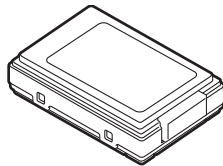


**HFL Kit**  
**P/N 08E00-E10-100**

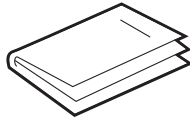
Switch



Control unit



Accessory User's Information Manual



## TOOLS AND SUPPLIES REQUIRED

Phillips screwdriver

Flat-tip screwdriver

Shop towel

Isopropyl alcohol

Diagonal cutters

Ratchet

10 mm and 14 mm Sockets

10 mm Combination wrench

Utility Knife

T-15 and T-25 Torx wrench

Felt-tip pen

Masking tape

Pushpin

Drill

3 mm, 4.5 mm, 6 mm, 9 mm, and 10 mm Drill bits

20 mm Hole saw

Plastic trim tool

T/N SILTRIMTL 10

Scissors

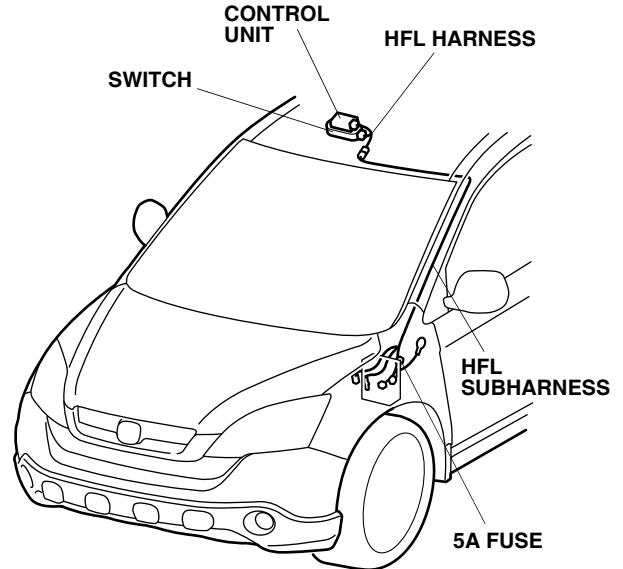
Needle nose pliers

Steel wire

Rubber mallet

Eye protection (face shield, safety goggles, etc.)

## **Illustration of the HFL Installed on the Vehicle**

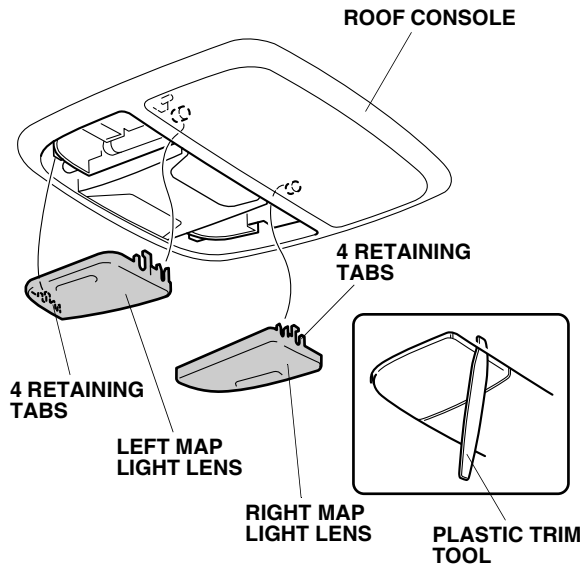


## INSTALLATION

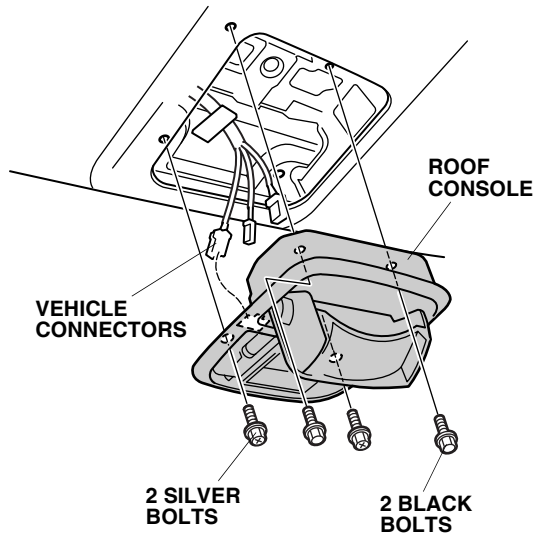
**Customer Information:** The information in this installation instruction is intended for use only by skilled technicians who have the proper tools, equipment, and training to correctly and safely add equipment to your vehicle. These procedures should not be attempted by “do-it-yourselfers.”

1. Make sure you have the anti-theft code for the audio unit and the navigation system, then write down the radio presets.
2. Disconnect the negative cable from the battery.

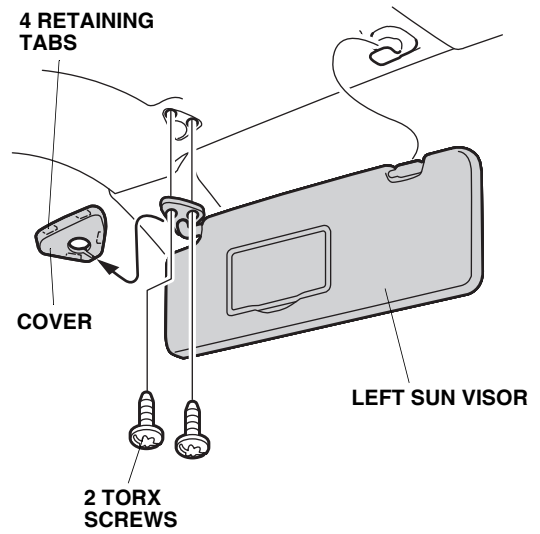
- Remove the right and left map light lenses (four retaining tabs each). Do not damage the lenses.



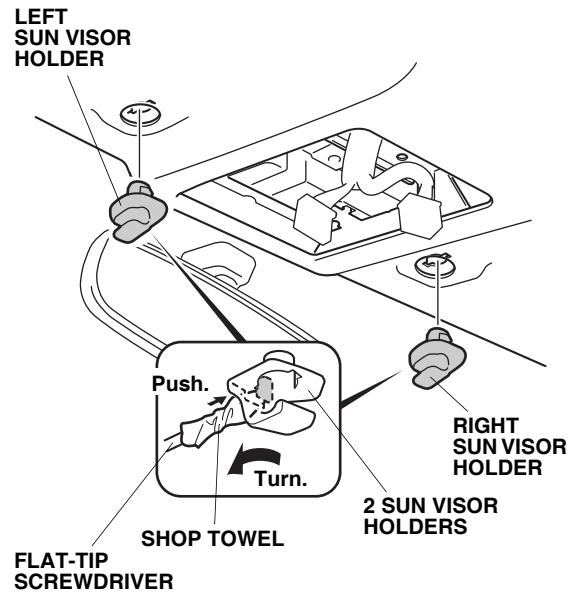
- Remove the roof console (four bolts and unplug the vehicle connectors).



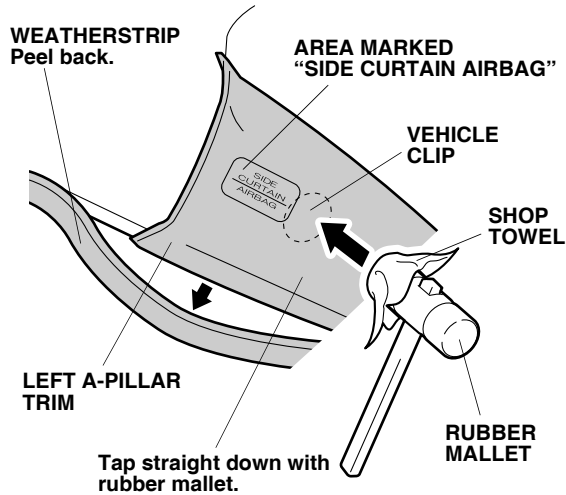
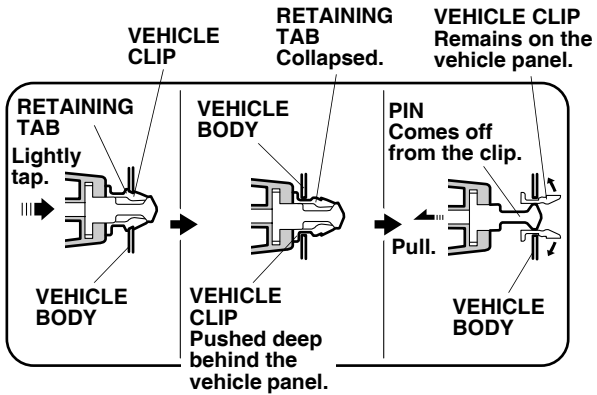
- Remove the cover from the left sun visor (four retaining tabs).



- Remove the left sun visor (two T-25 Torx screws).
- Using a flat-tip screwdriver wrapped with a shop towel, remove the right and left sun visor holders.

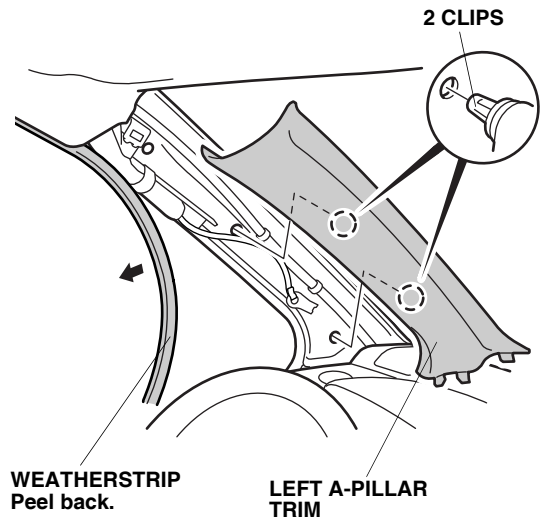


8. Peel back the weatherstrip as shown.

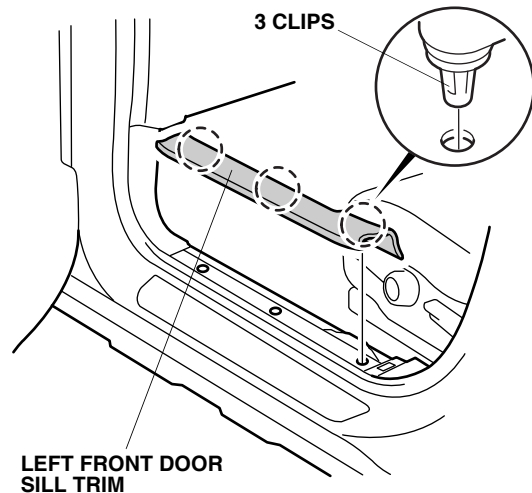


9. Using a rubber mallet wrapped with a shop towel, lightly tap the area marked "SIDE CURTAIN AIRBAG" on the top of the A-pillar trim to push in the vehicle clip. Make sure to aim the mallet straight down, not at an angle.
10. Remove the clip from the vehicle panel.

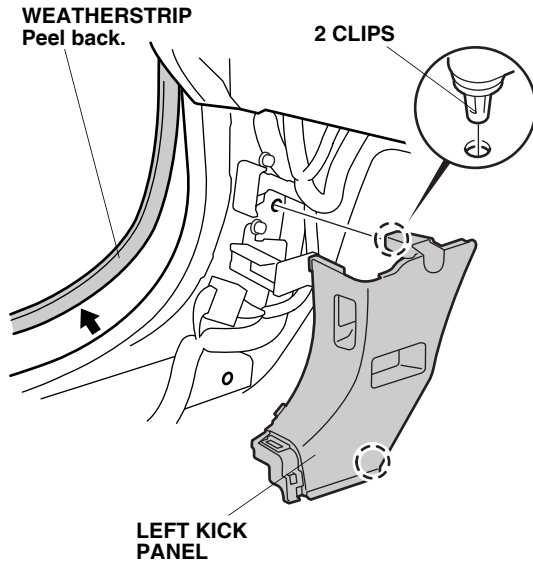
11. Peel back the weatherstrip as shown.



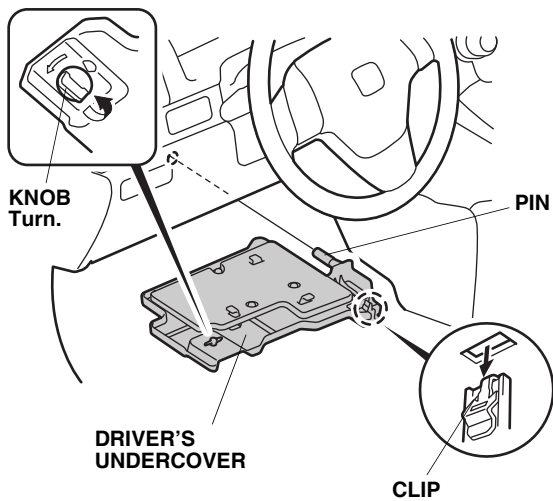
12. Remove the left A-pillar trim (two clips).
13. Remove the left front door sill trim (three clips).



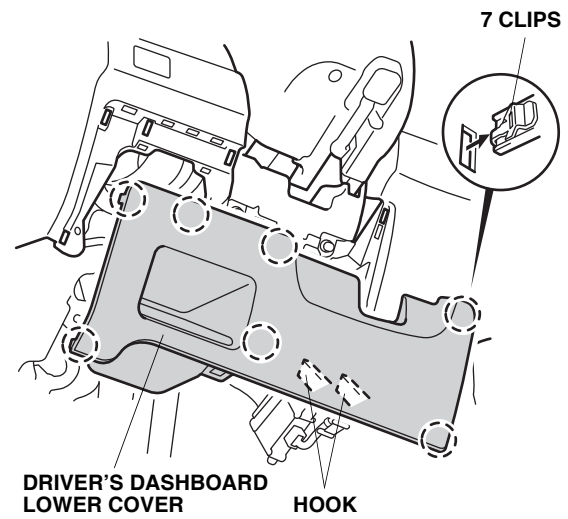
14. Peel back the weatherstrip.



15. Remove the left kick panel (two clips).
16. Remove the driver's undercover (turn the knob, one pin and one clip).

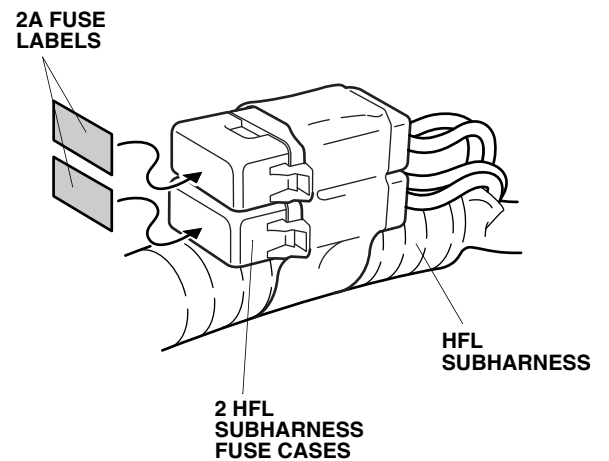


17. Remove the driver's dashboard lower cover (seven clips and two hooks). Be careful not to damage the clips and hooks.

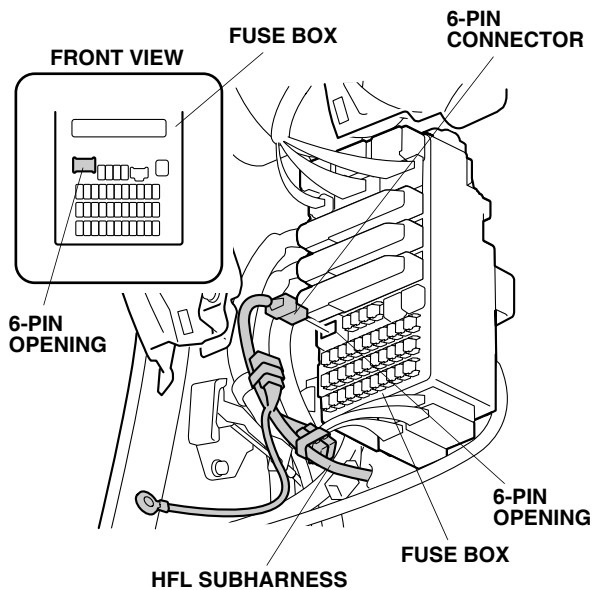


### Routing the HFL Subharness

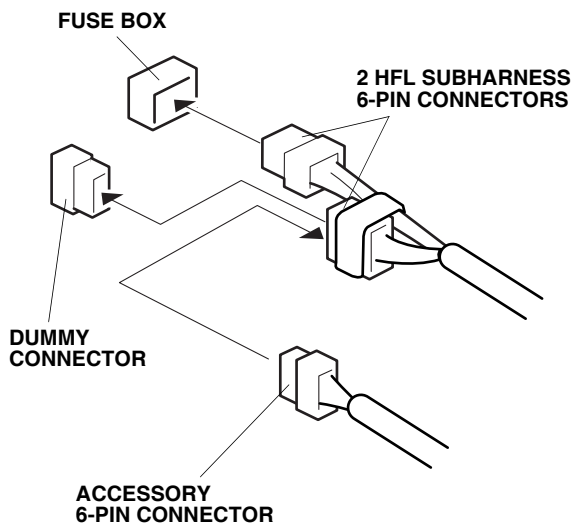
18. Attach two 2A fuse labels to the two HFL subharness fuse cases.



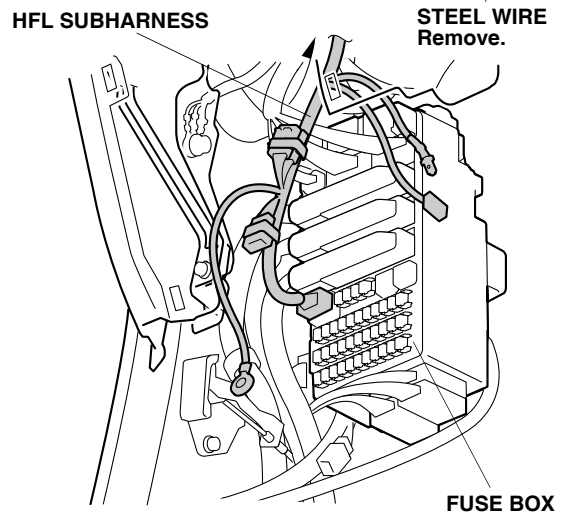
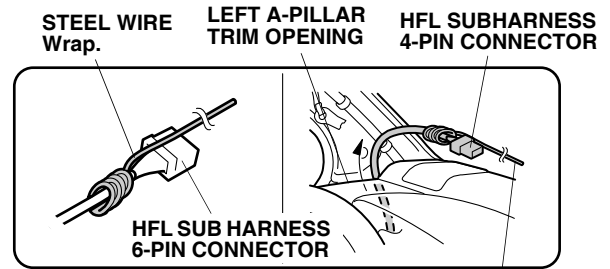
19. Plug the HFL subharness 6-pin connector into the 6-pin opening in the fuse box.



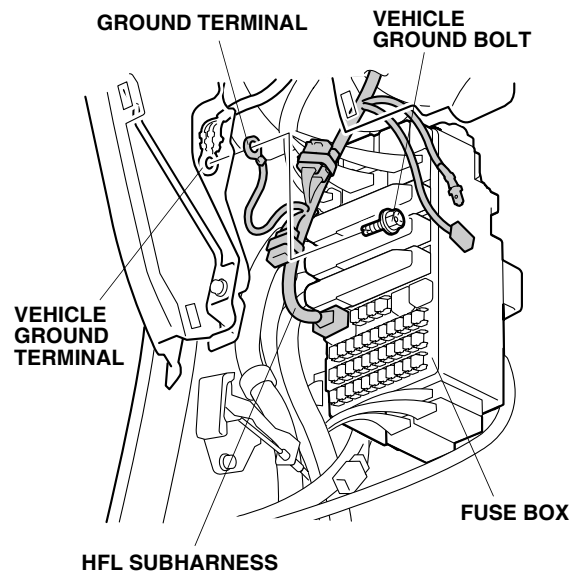
20. If another accessory is already plugged into the 6-pin connector, remove the dummy connector from the 6-pin connector taped to the HFL subharness. Plug the other accessory 6-pin connector into the HFL subharness and plug the HFL subharness into the fuse box. Repeat this step so that these accessories are connected in the following order: (HFL → Automatic Day/Night Mirror → Trailer Hitch).



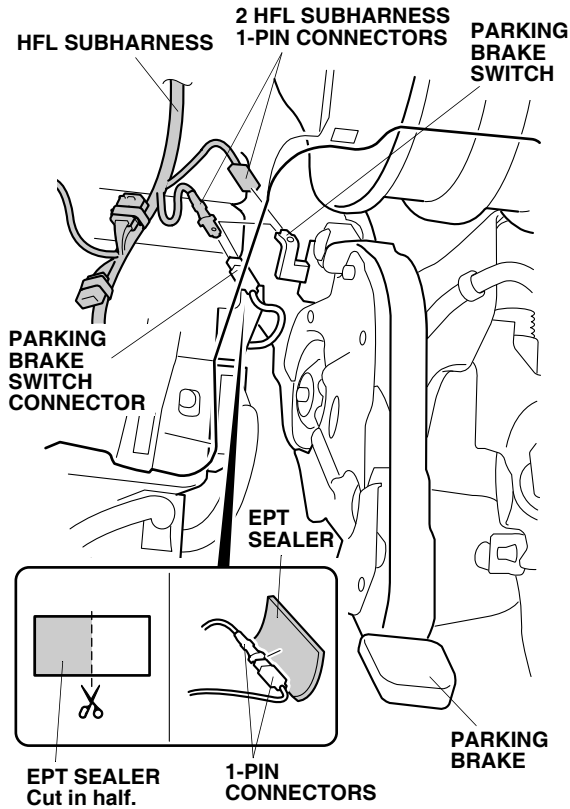
21. Wrap a piece of steel wire around the HFL subharness 4-pin connector and route it to the left A-pillar trim opening. Remove the steel wire.



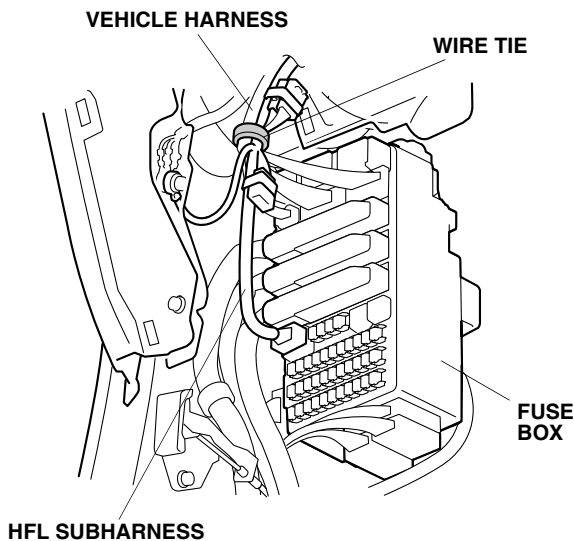
22. Remove the vehicle ground bolt. Place the HFL subharness ground terminal over the vehicle ground terminal, and secure them with the bolt.



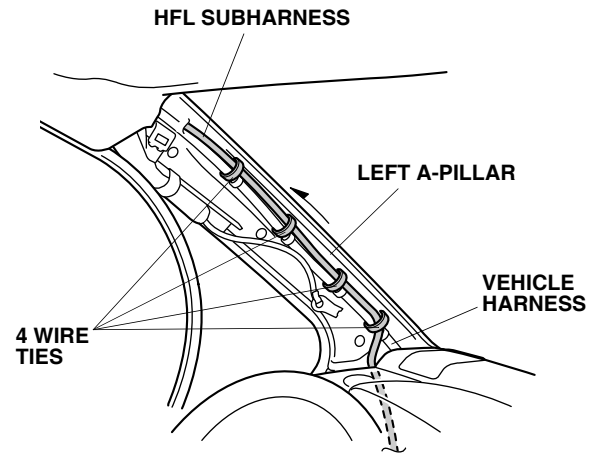
23. Route the HFL subharness as shown.



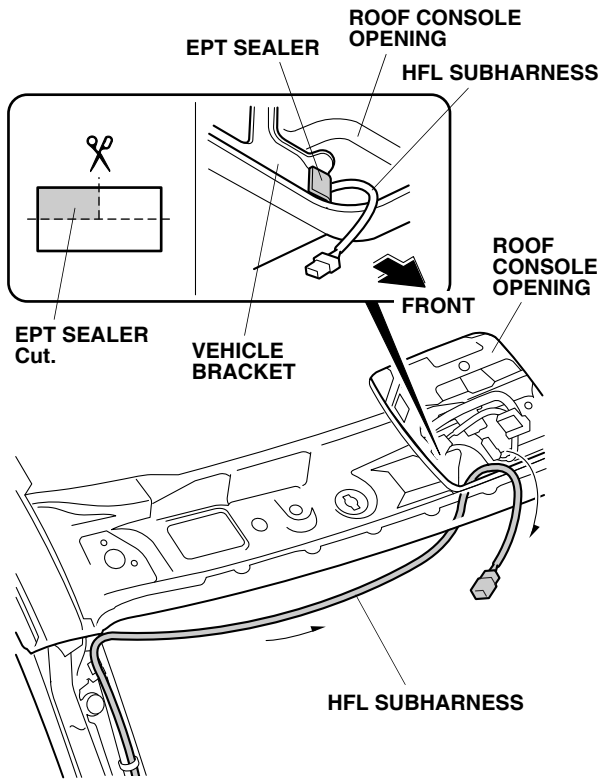
24. Unplug the parking brake switch 1-pin connector, and plug it into the HFL subharness 1-pin connector.
25. Plug the HFL subharness 1-pin connector into the parking brake switch.
26. Cut one EPT sealer in half, and wrap one piece of EPT sealer around the 1-pin connectors as shown (The other half will be used in step 66).
27. Secure the HFL subharness to the vehicle harness with one wire tie.



28. Route the HFL subharness along the left A-pillar and secure it to the vehicle harness with four wire ties.

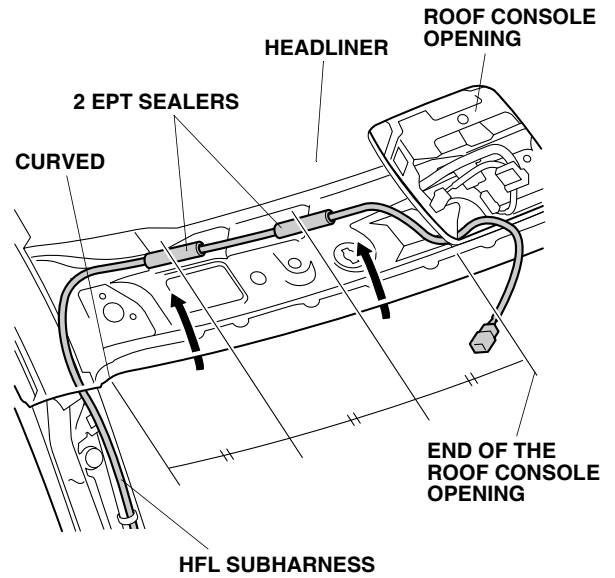


29. Route the HFL subharness to the roof console opening.



30. Using isopropyl alcohol on a shop towel, thoroughly clean the area where the EPT sealer will attach.
31. Cut one EPT sealer in half, and cut one piece in half again. Attach one piece of EPT sealer to the vehicle bracket as shown above.

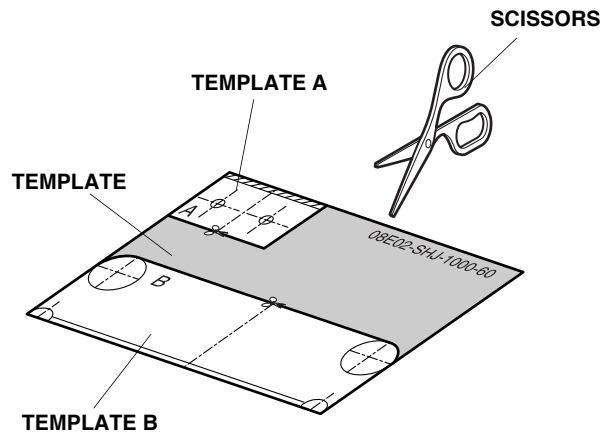
32. Wrap the two remaining EPT sealers at the indicated position around the HFL subharness as shown.



33. Tuck the HFL subharness between the vehicle panel and the headliner. Be careful not to crease the headliner.

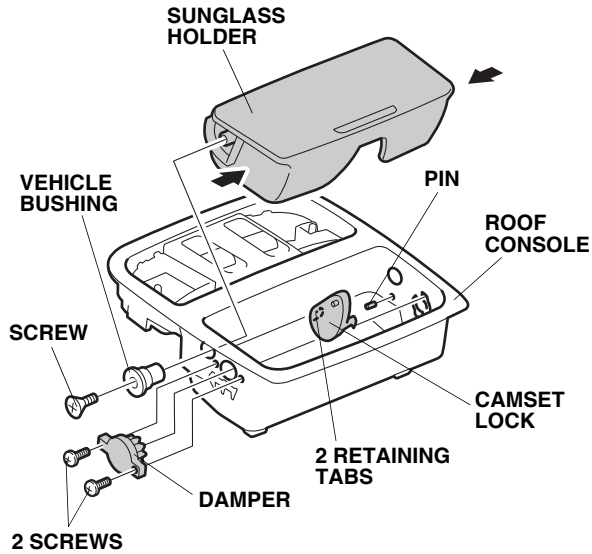
**Installing the Control Unit**

34. Using scissors, cut out template A and template B.





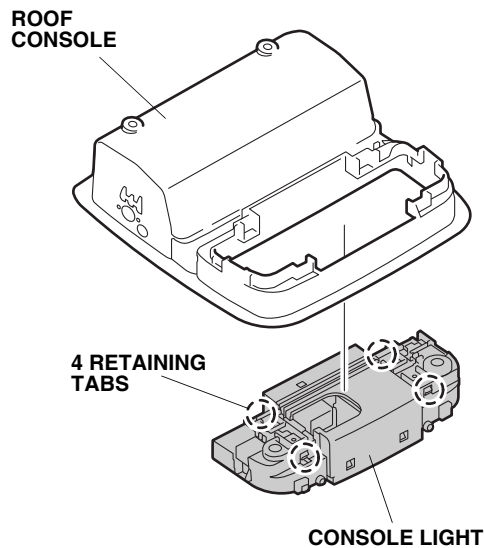
35. Remove the damper (two screws).



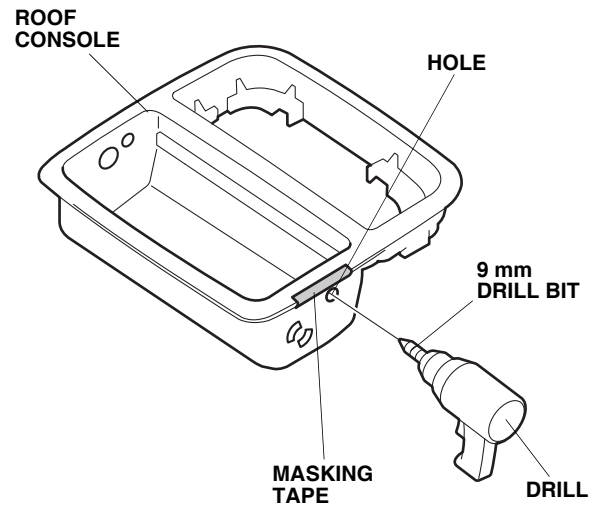
36. Remove the sunglass holder from the roof console (one screw and one vehicle bushing).

37. Remove the pin and remove the camset lock (two retaining tabs).

38. Remove the console light from the roof console (four retaining tabs).



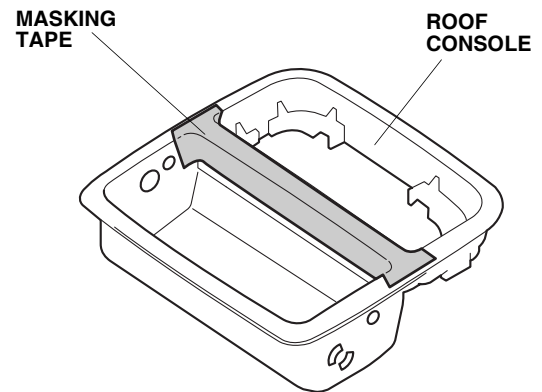
39. Attach masking tape on to the roof console as shown.



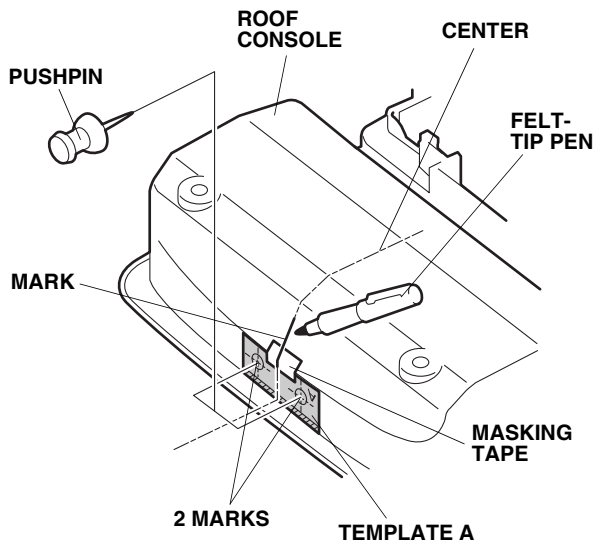
40. While wearing eye protection, enlarge the hole on the roof console with a 9 mm drill bit.

41. Remove the masking tape.

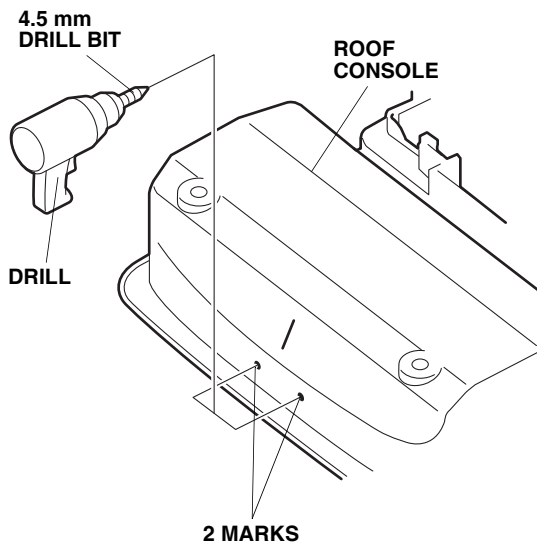
42. Attach masking tape to the roof console as shown.



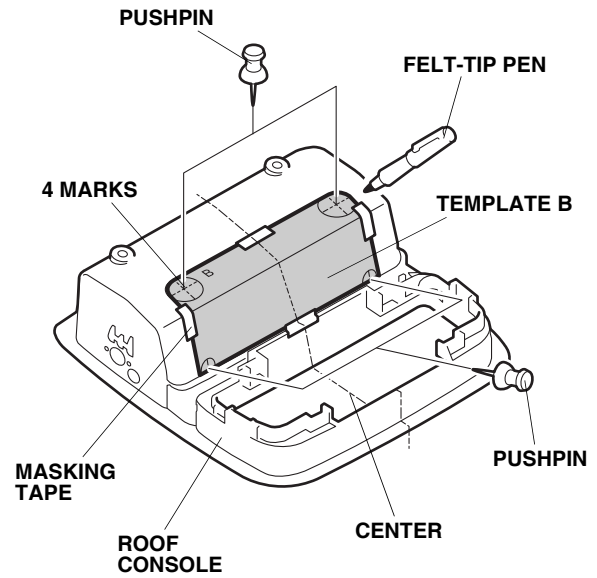
43. Attach template A to the roof console at the indicated position with masking tape.



44. Using a felt-tip pen, mark the center of the roof console as shown.
45. Using a pushpin, mark the roof console at two locations according to template A. Remove template A.
46. While wearing eye protection, drill two 4.5 mm holes at the locations marked in step 45. Remove any burrs.

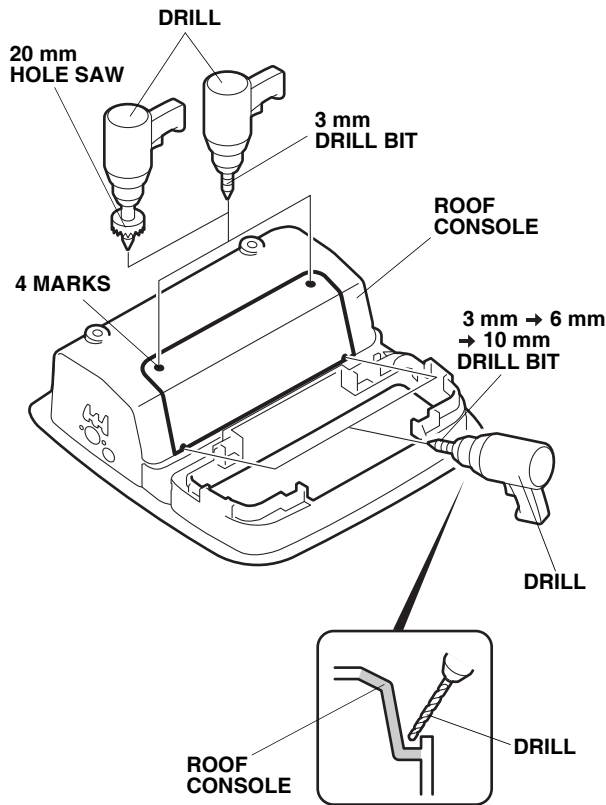


47. Using masking tape, attach the template B to the roof console at the indicated position.



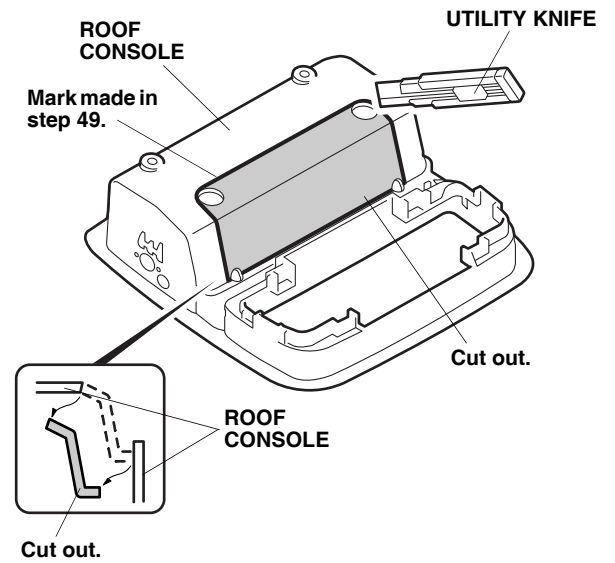
48. Using a pushpin, pierce the roof console at four locations according to template B.
49. Using a felt-tip pen, mark the roof console along template B. Remove template B.

50. While wearing eye protection, drill four 3 mm holes at the four locations marked in step 48.

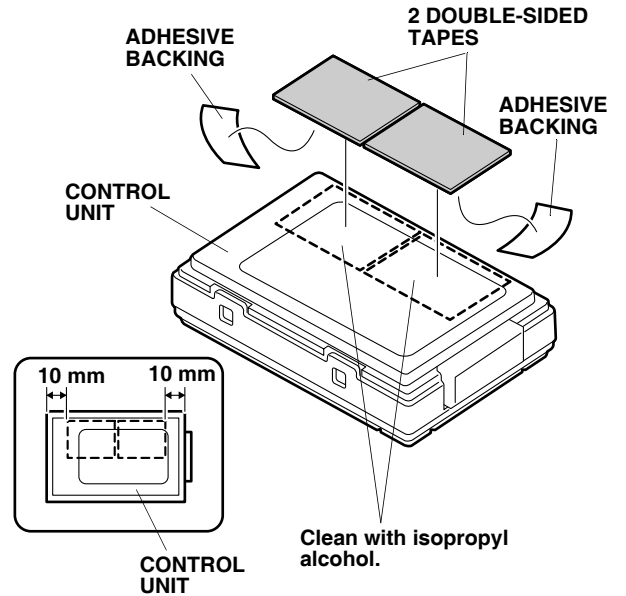


51. Enlarge the lower two 3 mm holes drilled in step 50 with a 6 mm drill bit and then with a 10 mm drill bit as shown.
52. Enlarge the other two 3 mm holes drilled in step 50 with a 20 mm hole saw as shown.

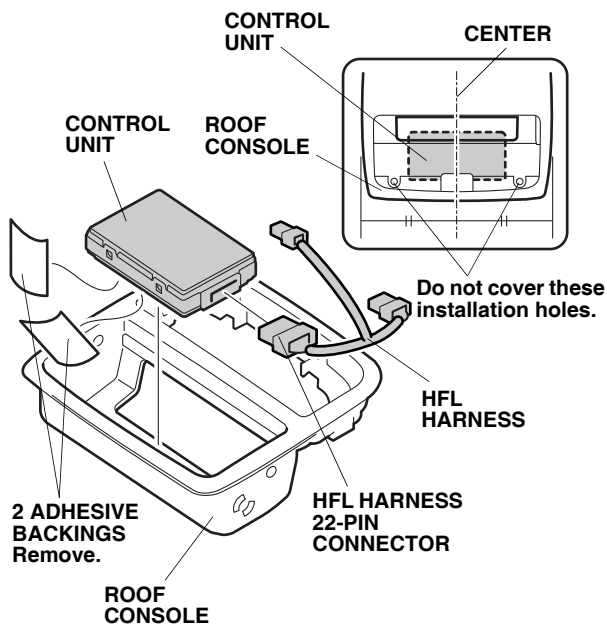
53. Using a utility knife, cut along the mark you made in step 49. Remove any burrs.



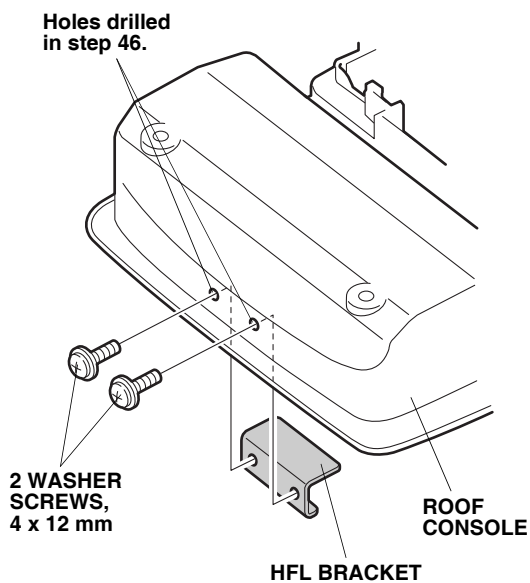
54. Remove the masking tape attached in step 42.
55. Using isopropyl alcohol on a shop towel, thoroughly clean the areas indicated below. Remove the adhesive backing from two double-sided tapes and attach them on the control unit as shown.



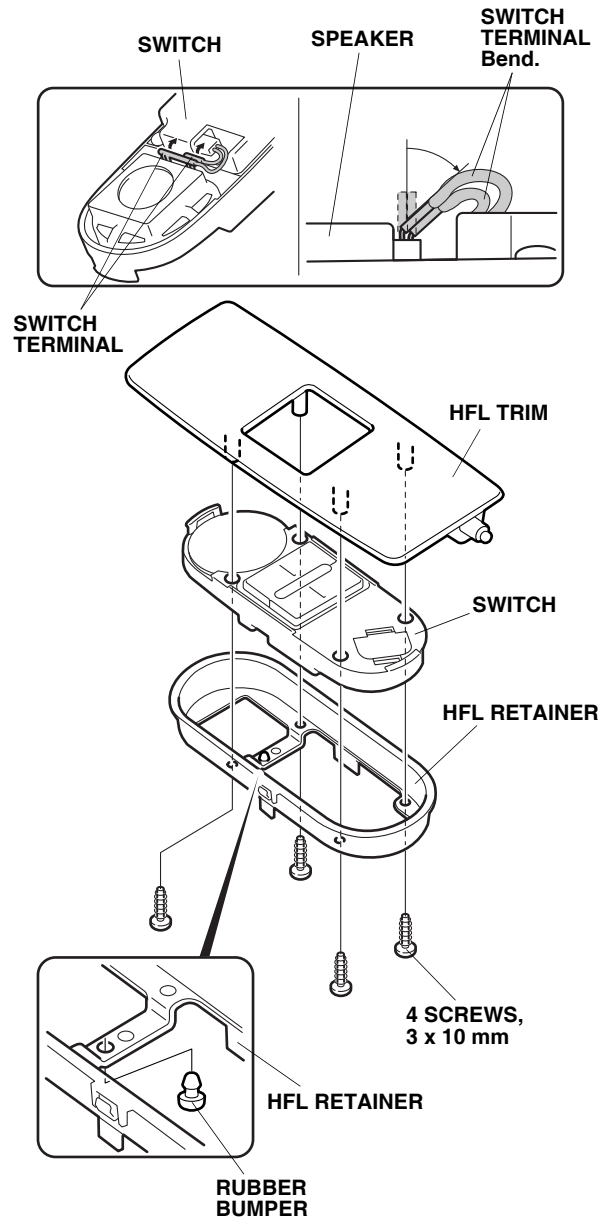
56. Plug the HFL harness 22-pin connector into the control unit.



57. Using isopropyl alcohol on a shop towel, thoroughly clean the areas where the double-sided tapes will attach. Remove the adhesive backings from the control unit and attach the control unit to the indicated position on the roof console. Do not cover the installation holes with the control unit.
58. Secure the HFL bracket to the holes made on the roof console in step 46 with two 4 x 12 mm washer screws.

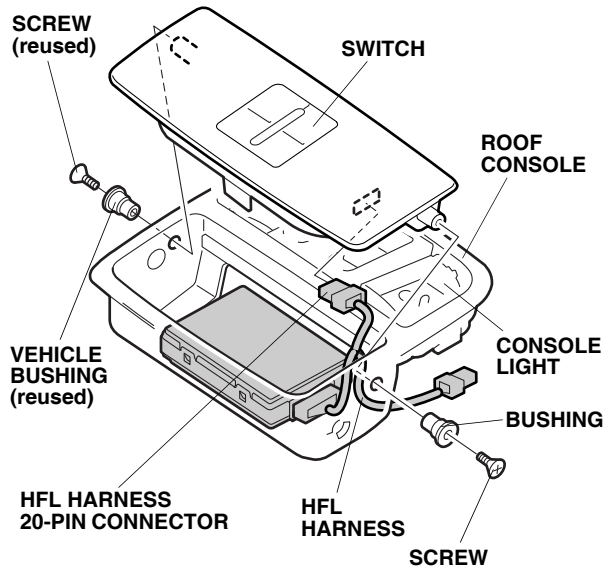


59. Bend the switch terminal as shown.

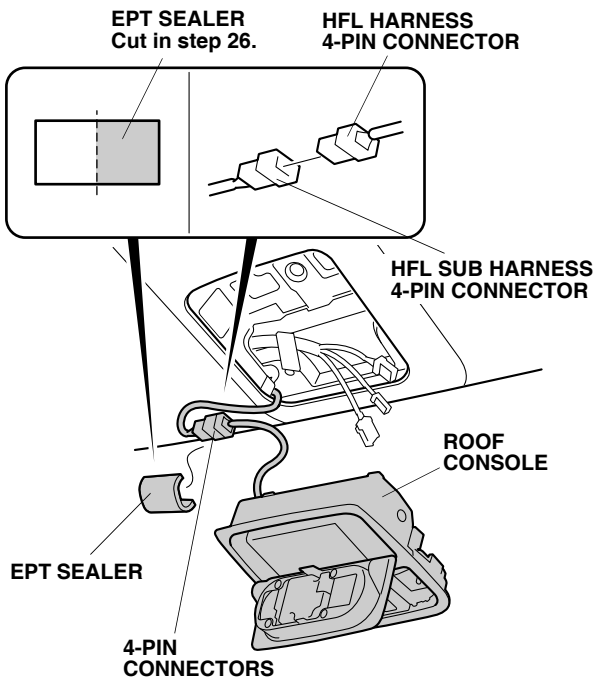


60. Push the rubber bumper through the indicated hole in the HFL retainer.
61. Assemble the HFL retainer, switch, and HFL trim with four 3 x 10 mm screws.

62. Plug the HFL harness 20-pin connector into the switch.

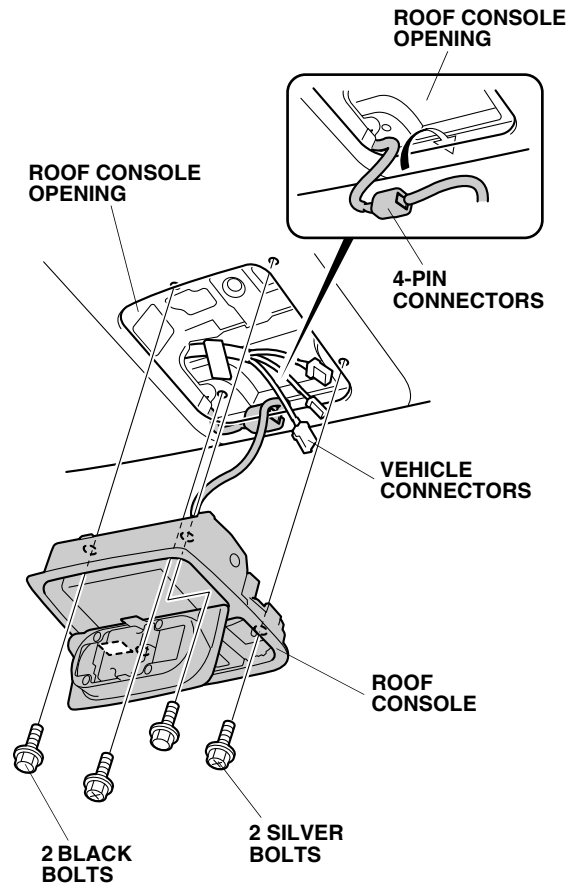


63. Install the switch assembled in step 61 to the roof console with the screw and vehicle bushing removed in step 36.
64. Reinstall the console light into the roof console.
65. Hold the roof console close to the roof console opening, and plug the HFL harness 4-pin connector into the HFL subharness 4-pin connector.



66. Wrap the piece of EPT sealer cut in step 26 around the 4-pin connectors.

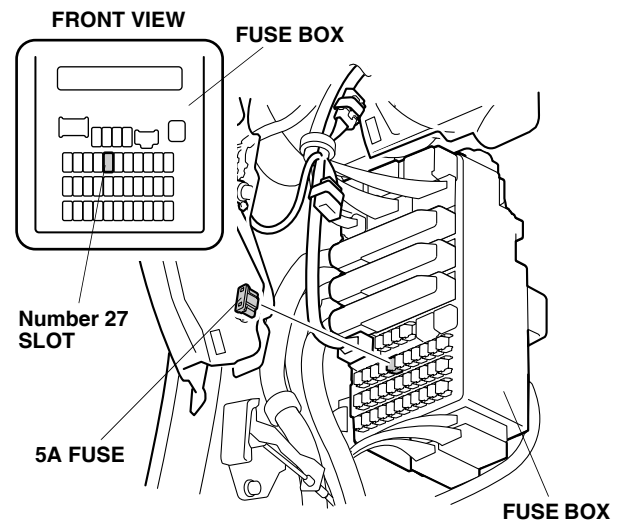
67. Tuck the 4-pin connectors behind the roof console opening as shown.



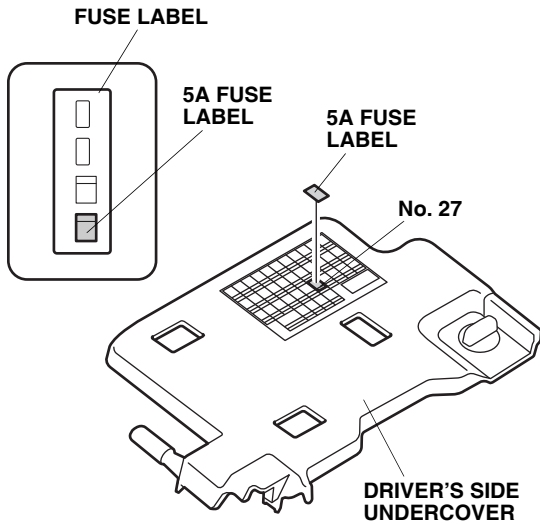
68. Reinstall the roof console.

### Installing the Fuse

69. Install the 5A fuse into the Number 27 slot on the fuse box.



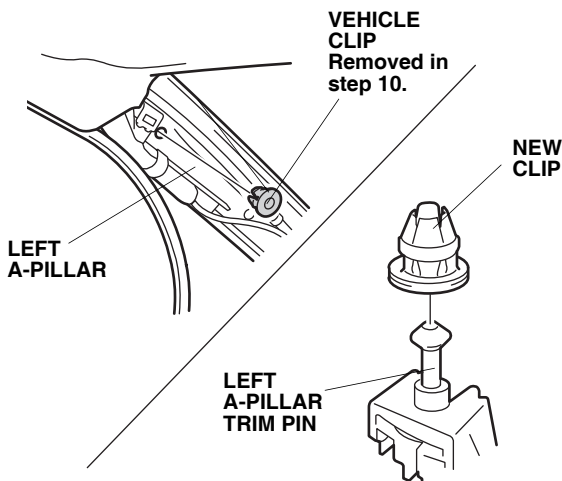
70. Using isopropyl alcohol on a shop towel, thoroughly clean the area where the fuse label will attach.



71. Attach the 5A fuse label to the Number 27 slot on the driver's undercover.

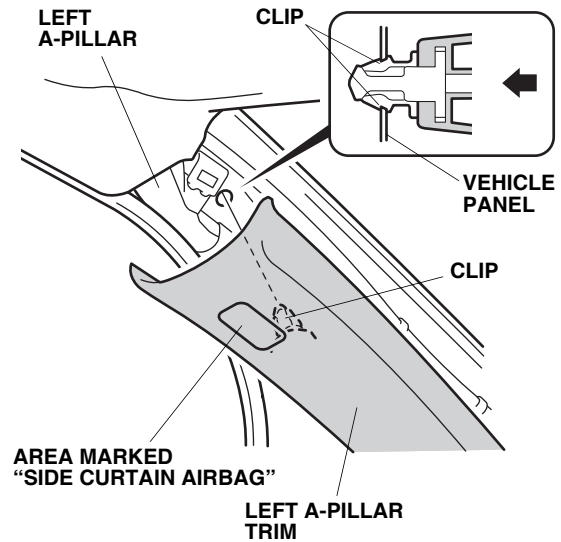
### Reinstalling the Left A-Pillar Trim

72. Check that the left A-pillar trim and the left A-pillar trim pin are not damaged, and install the new clip on the pin.



73. Position the clip perpendicular to the hole on the left A-pillar. Install the clip by lightly pushing the left A-pillar trim at the area marked "SIDE CURTAIN AIRBAG".

- Be sure that the airbag is not pinched with the clip.
- Do not push too hard on the trim.



74. Check that all wire harness are routed properly and all connectors are plugged in.
75. Reinstall all remaining parts. Check that all clips and other fasteners are installed securely.
76. Reconnect the negative cable to the battery.
77. Enter the customer's radio anti-theft code, and reset the radio station presets.
78. Reset the clock.